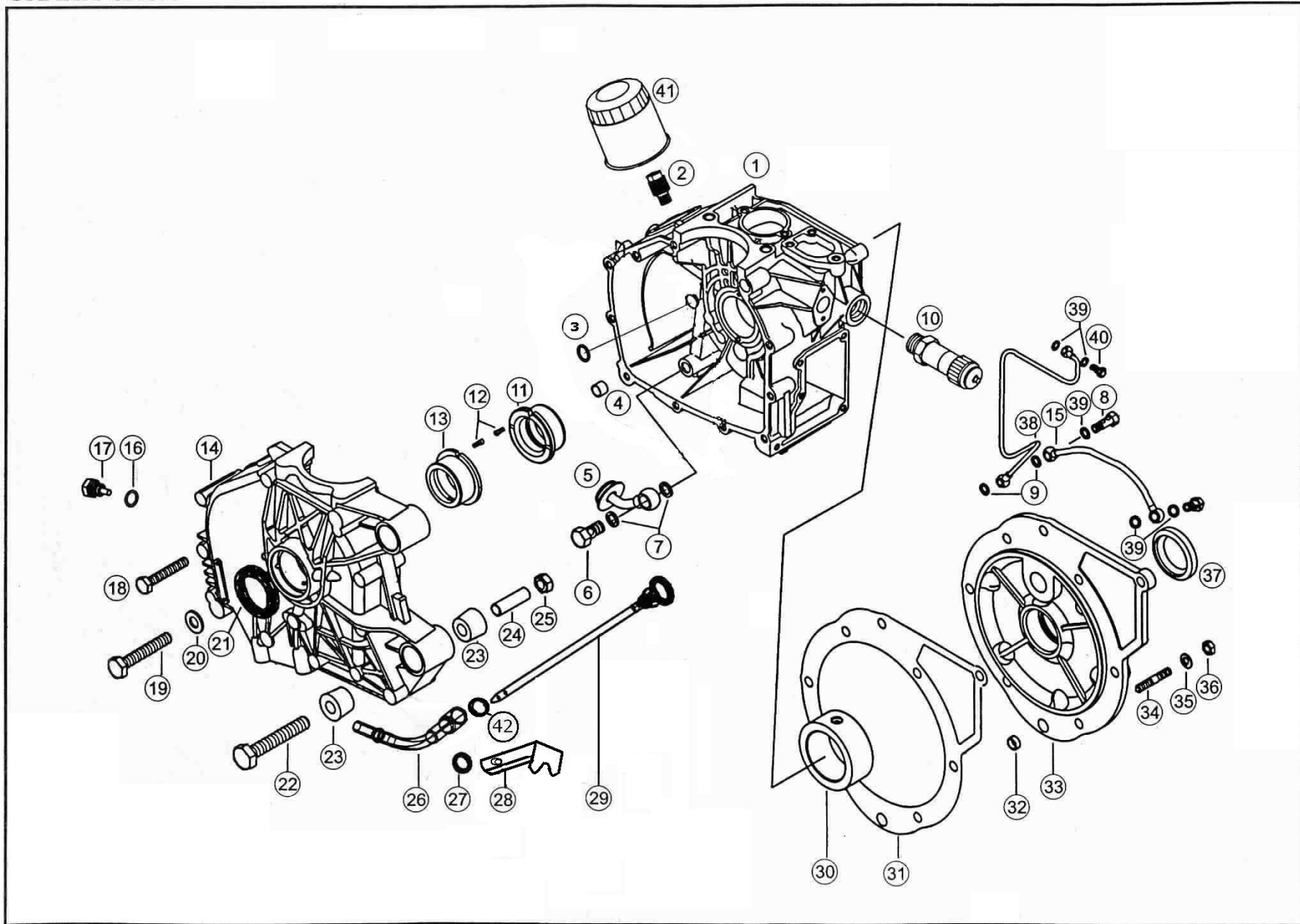


**MINIDOR cB/ HTX**

**SPARE PARTS CATALOGUE**

# CRANK CASE

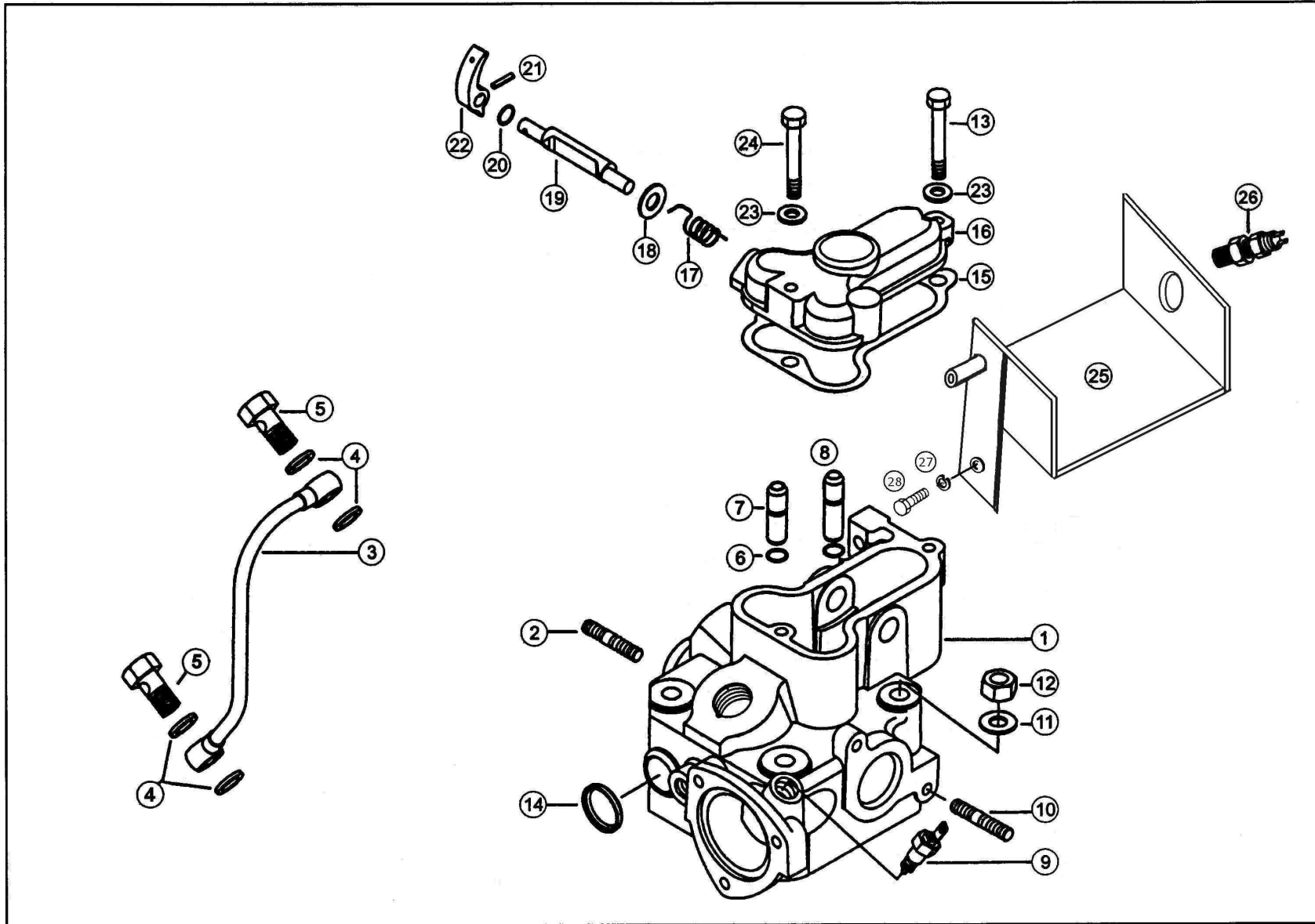
# Diagram No.1





# CYLINDER HEAD ASSEMBLY

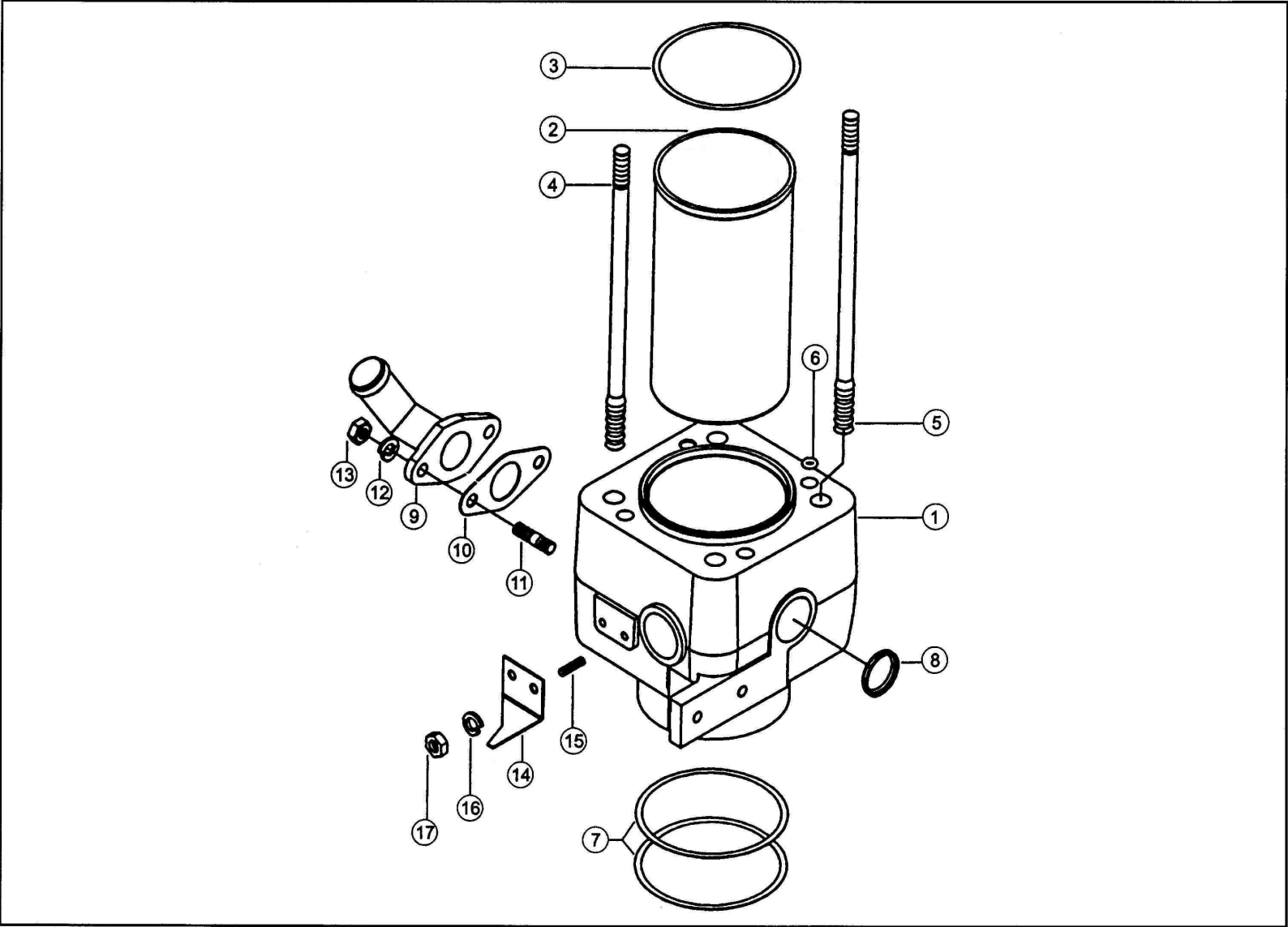
Diagram No. 2



Cylinder Head Assembly					Dia No. 2				
Fig No	Code No.	Material Description	CB	Metal TOP	Fig No	Code No.	Material Description	CB	Metal TOP
1	B008030102320	Cylinder Head with Valve Guides	1	1					
2	A000090010036	Stud M10 x 35	2	2					
3	B008031800122	Oil Drain Pipe Assly.	1	1					
4	A000093312017	Washer	4	4					
5	C915036008100	Banjo Bolt	2	2					
6	B008030530094	Snap Ring	2	2					
7	B008030530730	Exhaust Valve Guide	1	1					
8	B008030530829	Inlet Valve Guide	1	1					
9	A000024050662	Sensor Unit for Temperature Guage	1	1					
10	B008030160270	Stud M8 Air Intake Manifold	2	2					
11	B008039900040	Washer	4	4					
12	B008039900051	Nut	4	4					
13	A000091508045	Allen Bolt M8 x 45	1	1					
14	B008039971030	Closing Cap 22 Dia.	NSSP	NSSP					
15	B008030160580	Joint 0.5 mm. thick	As Reqd	As Reqd.					
16	B008030160605	Rocker Arm Cover	1	1					
17	B008039930101	Spring	1	1					
18	C006799005002	Securing Washer 5 mm.	1	1					
19	B008030550005	Decompression Shaft	1	1					
20	B008039970240	'O' Ring	1	1					
21	C001481003002	Spring dowel 3 x 16	1	1					
22	B008030550003	Lever for Decompression	1	1					
23	A000092708000	Spring Washer	2	2					
24	A000091508025	Allen Bolt M8 x 25	1	1					
25	B008030160141	Abutment Bkt. & Decompression switch	1	1					
26	B008085420117	Decompression Switch	1	1					
27	A000092706000	Spring Washer	1	1					
28	A000090306013	Hex. Head Screw M8 x 12	1	1					

**CYLINDER BLOCK ASSEMBLY**

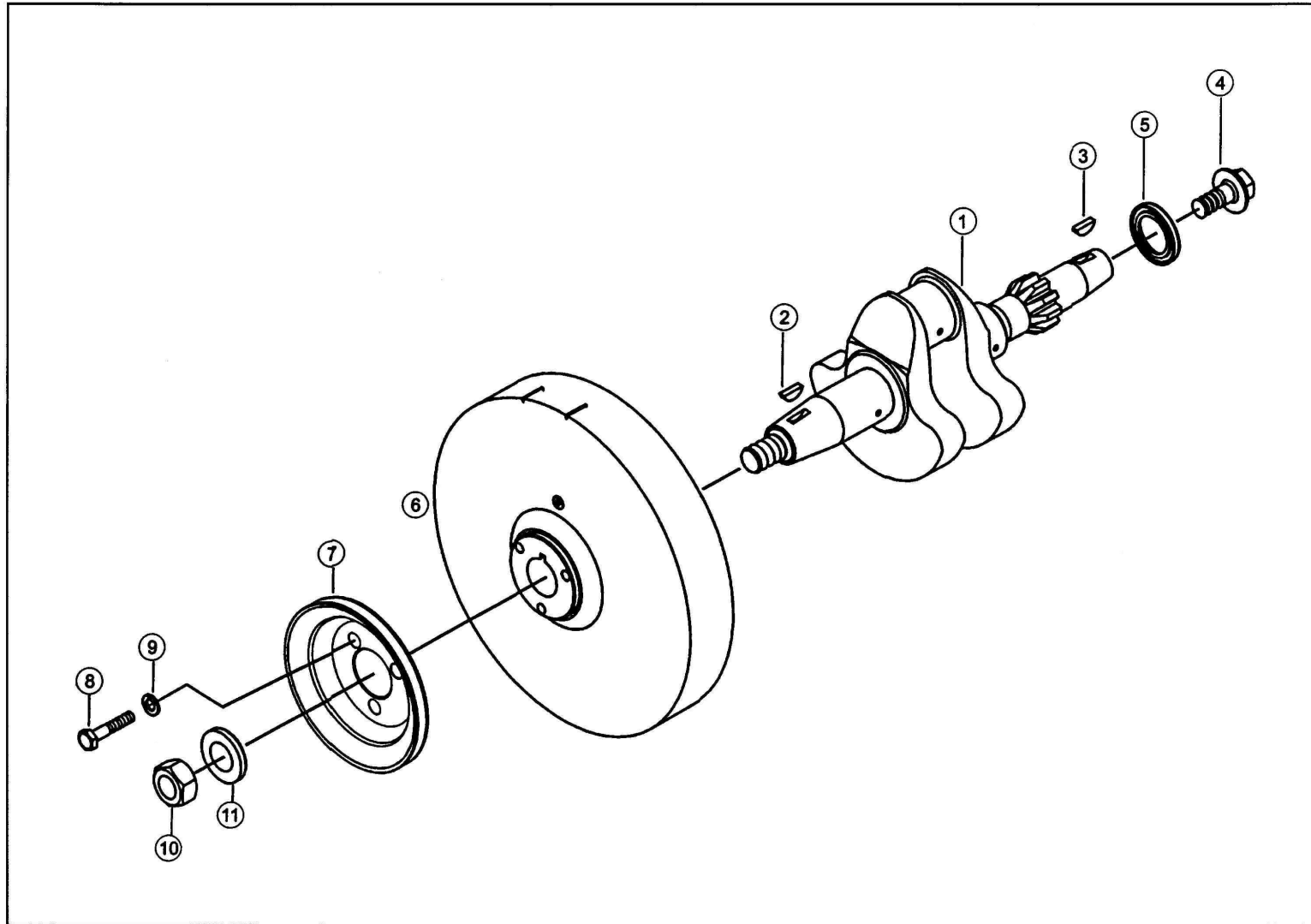
**Diagram No. 3**



Cylinder Block Assembly					Dia No. 3				
Fig No	Code No.	Material Description	CB	Metal TOP	Fig No	Code No.	Material Description	CB	Metal TOP
1	B008030100306	Cylinder Block with Liner	1	1	17	A000092106102	Hex Nut M6 X 1	2	2
2	B008030110010	Cylinder Liner	1	1					
3	B008030120280	Copper Joint	1	1					
4	B008030111670	Stud P.T.O. Side	2	2					
5	B008030111770	Stud Fly Wheel Side	2	2					
6	B008039970045	Sealing Ring	4	4					
7	B008030120080	Joint (0.1 mm.)	1	1					
-	B008030120180	Joint (0.3 mm.)	1	1					
8	B008039971130	Closing Cap	3	3					
9	B008032000505	Water Inlet Flange	1	1					
10	B008032030180	Gasket	1	1					
11	A000091808035	Stud M8 x 35	2	2					
12	A000092708000	Spring Washer	2	2					
13	A000092108130	Hex. Nut M8 x 1.25	2	2					
14	B008030320250	Pointer	1	1					
15	A000095306010	Stud M6 x 10	2	2					
16	A000092706000	Spring Washer	2	2					

**CRANK SHAFT**

**Diagram No. 4**



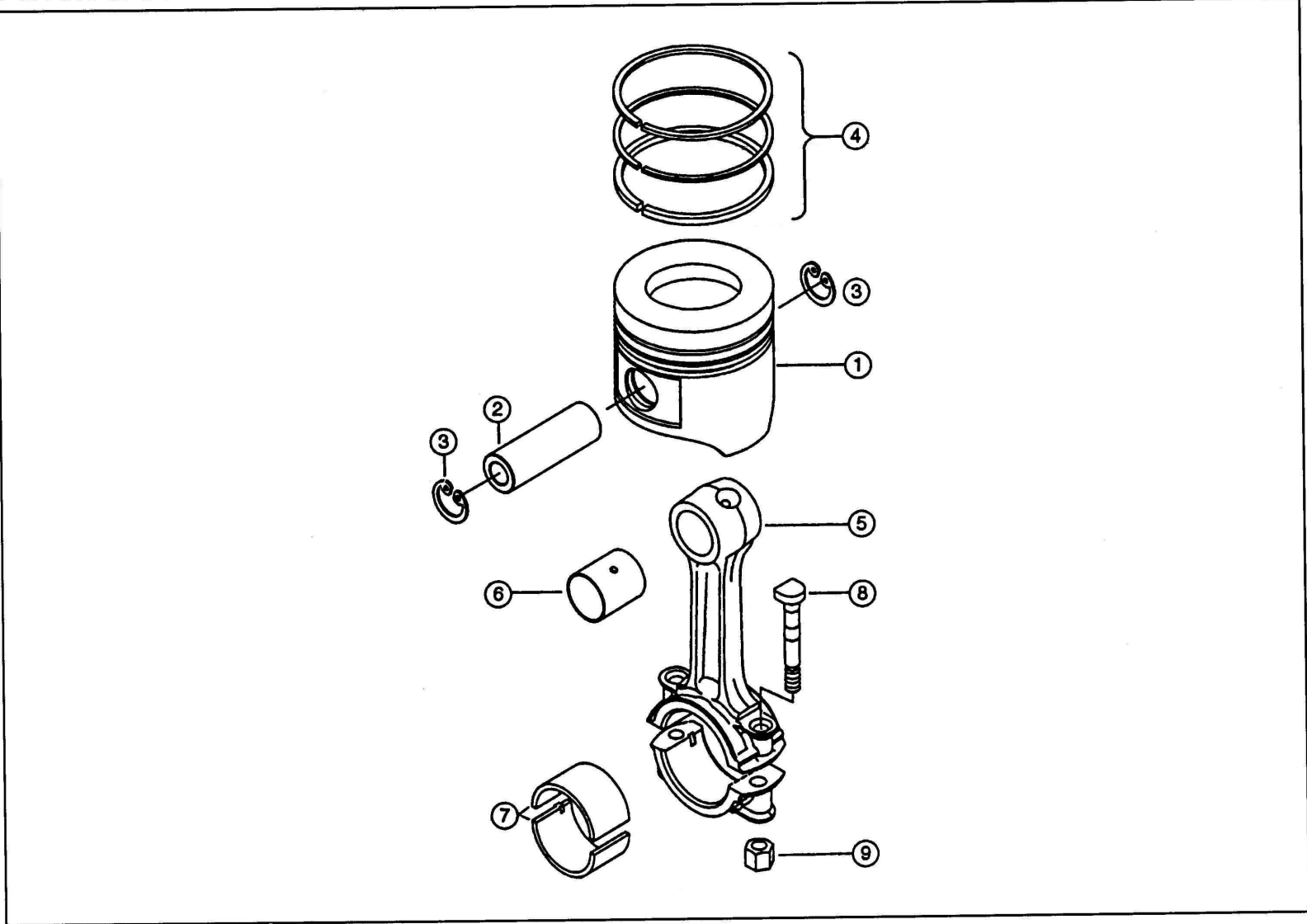


**Crank Shaft Assembly****Dia No. 4**

<b>Fig No</b>	<b>Code No.</b>	<b>Material Description</b>	<b>CB</b>	<b>Metal TOP</b>	<b>Fig No</b>	<b>Code No.</b>	<b>Material Description</b>	<b>CB</b>	<b>Metal TOP</b>
1	B008030300102	Crank Shaft Assly. Plugged	1	1					
2	B008039970067	Woodruff Key Flywheel End	1	1					
3	A000020126052	Woodruff Key P.T.O. End	1	1					
4	B008030310071	Flanged Bolt M14 x 1.2	1	1					
5	B008039970140	Oil Seal 47 x 30 x 6	1	1					
6	B008030303305	Fly Wheel With Rotor & Stator	-	1					
-	B008030303405	Flywheel With Rotor	-	1					
-	B008030321601	Flywheel Bare Finished	-	1					
-	B008030303705	Fly Wheel With Rotor & Stator	1	-					
-	B008030303805	Flywheel With Rotor	1	-					
-	B008030321801	Flywheel Bare Finished	1	-					
7	B008030320704	Single Grooved Pulley	1	1					
8	A000090308023	Hex. Head Bolt M8 x 23	3	3					
9	A000092708000	Spring Washer	3	3					
10	A000092120150	Hex. Nut M20 x 1.5	1	1					
11	B008039900140	Plain Washer 20 Dia.	1	1					

**PISTON & CONNECTING ROD ASSEMBLY**

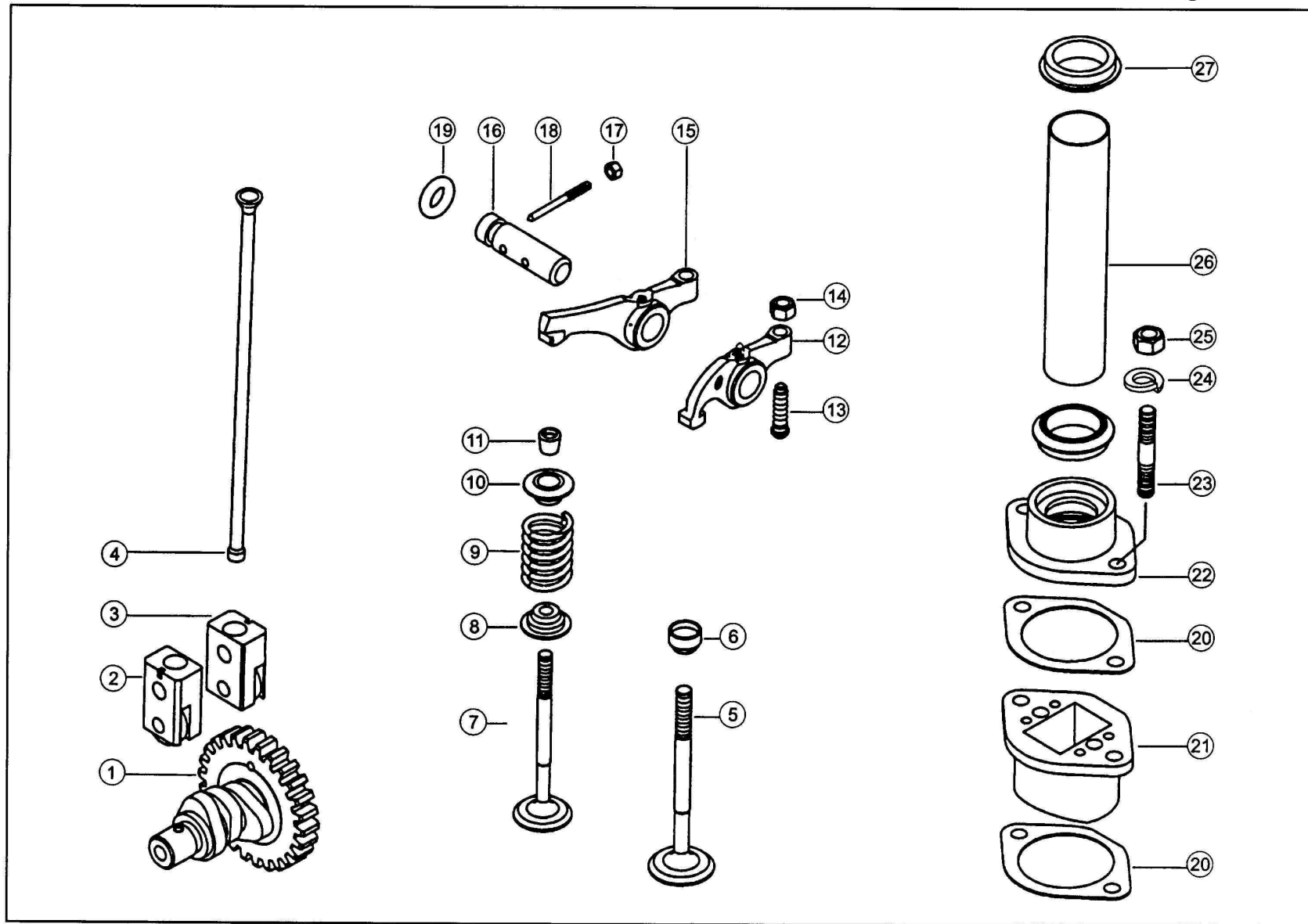
**Diagram No. 5**



<b>Piston &amp; Connecting Rod Assembly</b>					<b>Dia No. 5</b>				
<b>Fig No</b>	<b>Code No.</b>	<b>Material Description</b>	<b>CB</b>	<b>Metal TOP</b>	<b>Fig No</b>	<b>Code No.</b>	<b>Material Description</b>	<b>CB</b>	<b>Metal TOP</b>
1	B008030374101	Piston Bare (Std.)	1	1					
2	B008030370120	Gudgeon Pin	1	1					
3	B008039940135	Circlip	2	2					
4	B008030000603	Piston Ring Set (Std.)	1	1					
5	B008030300420	Connecting Rod Bare	1	1					
6	B008030380050	Small end Bush	1	1					
7	B008030380010	Large End Bearing Std. Pair	1	1					
8	B008030380071	Connecting Rod Bolt	2	2					
9	B008030380072	Nut M8 x 19	2	2					

# CAMSHAFT, ROCKER ARMS & VALVES

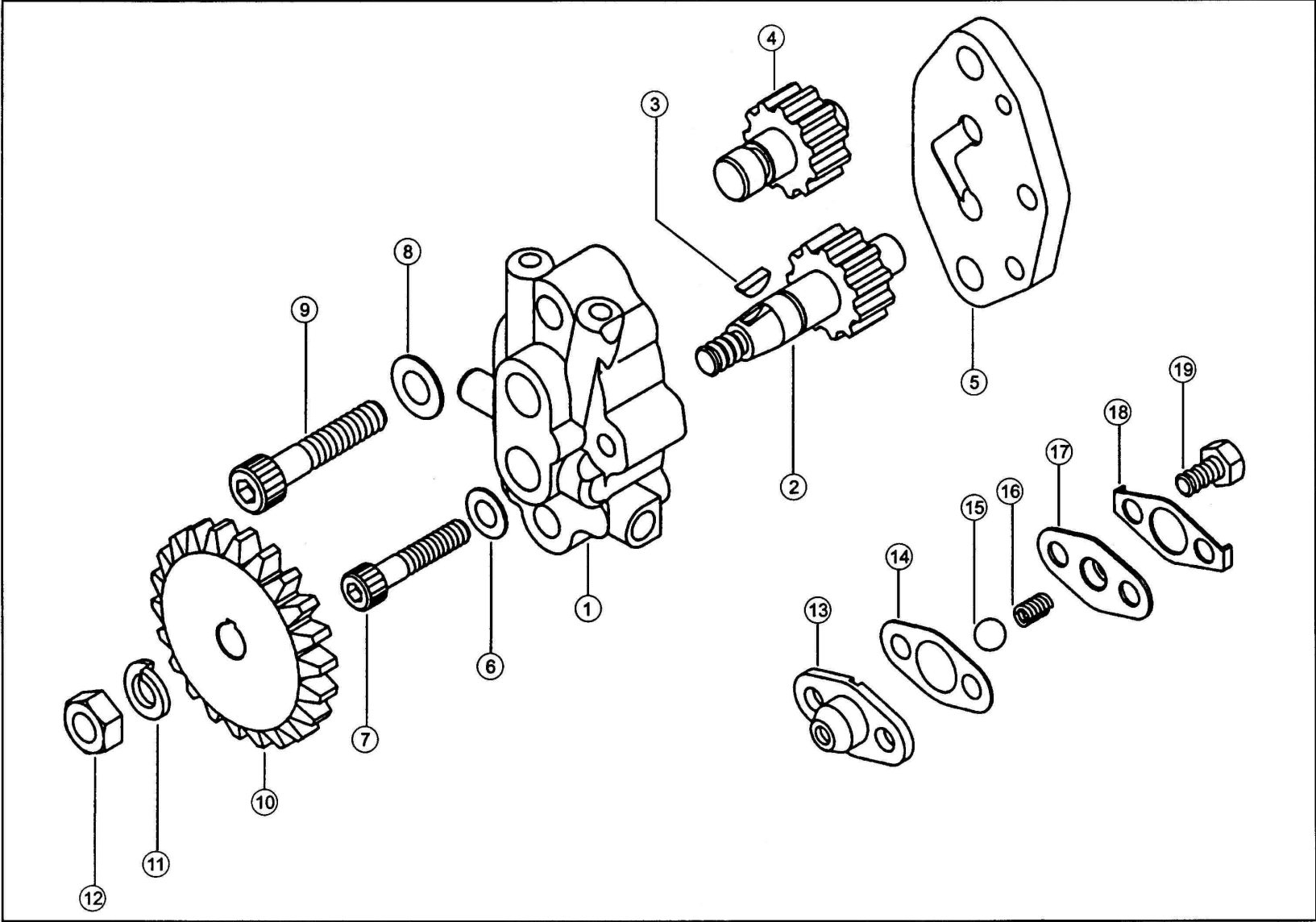
Diagram No. 6



Camshaft, Rocker Arms & Valves					Dia No. 6				
Fig No	Code No.	Material Description	CB	Metal TOP	Fig No	Code No.	Material Description	CB	Metal TOP
1	B008030510301	Cam Shaft	1	1					
2	B008030500525	Exhaust Tappet Assly.	1	1					
3	B008030500425	Inlet Tappet Assly.	1	1					
4	B008030540012	Push Rod	2	2					
5	B008030530101	Inlet Valve	1	1					
6	B008030530058	Seal - Valve stem	1	1					
7	B008030530001	Exhaust Valve	1	1					
8	B008030530025	Spring Retainer Lower	2	2					
9	B008030530020	Valve Spring	2	2					
10	B008030530125	Spring Retainer Upper	2	2					
11	B008030530035	Valve Collet	4	4					
12	B008030550101	Inlet Rocker Lever	1	1					
13	B008030550019	Rocker Adjusting Screw	2	2					
14	B008030550072	Rocker Adjusting Nut	2	2					
15	B008030550001	Exhaust Rocker Lever	1	1					
16	B008030550105	Shaft for Rocker Lever	1	1					
17	A000092106102	Hex. Nut M6 x 1	1	1					
18	B008030550119	Lock Screw	1	1					
19	B008030550036	'O' Ring for Rocker Shaft	1	1					
20	B008030540180	Gasket Tappet Housing	2	2					
21	B008030540002	Tappet Housing	1	1					
22	B008030540329	Guide for Push Rod Tube	1	1					
23	B008030160070	Stud	2	2					
24	A000092708000	Spring Washer	2	2					
25	A000092108130	Nut M8 x 1.25	2	2					
26	B008030540129	Push Rod Tube	1	1					
27	B008030540058	Rubber Sleeve	2	2					

**OIL PUMP ASSEMBLY**

**Diagram No. 7**

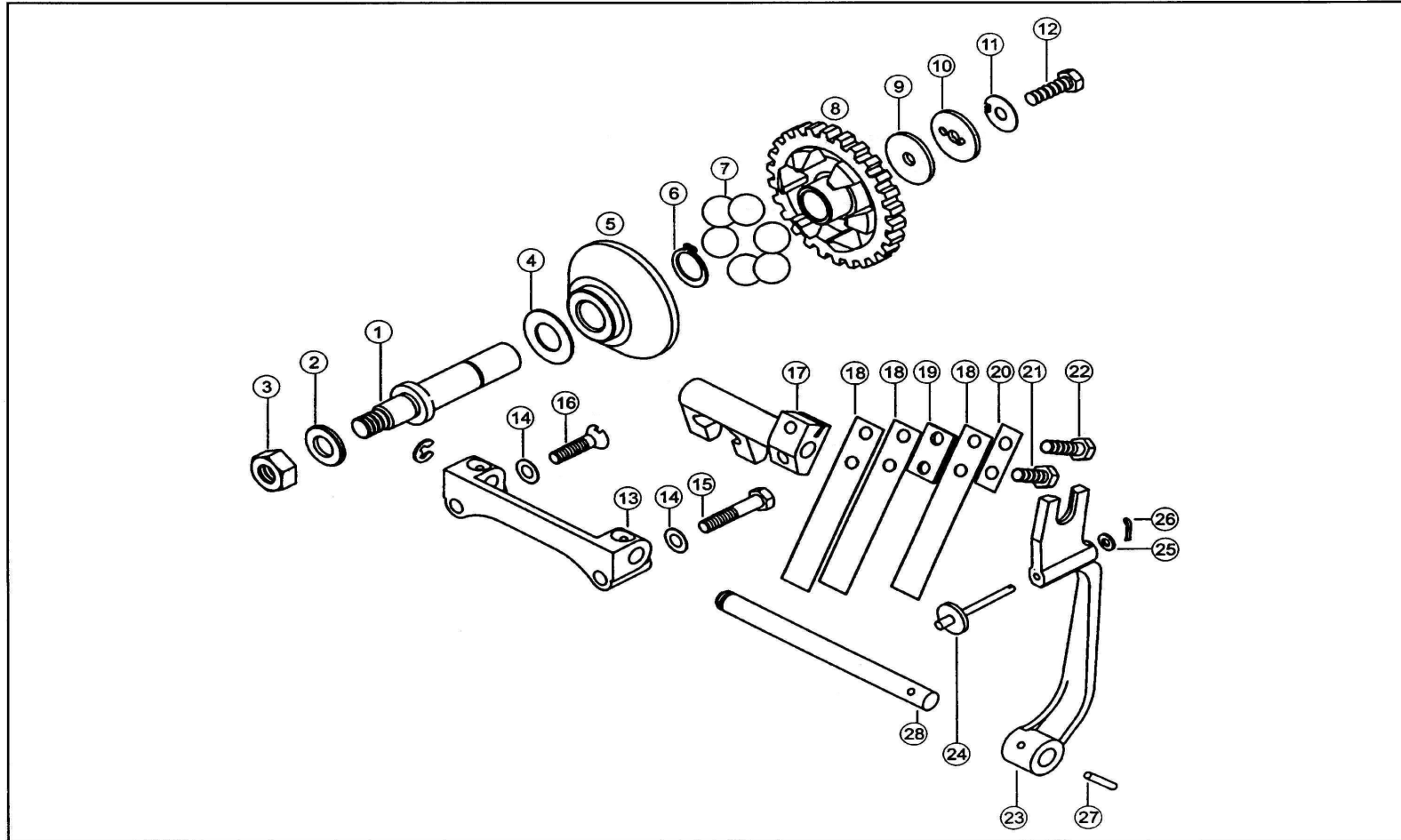


**Oil Pump Assembly**
**Dia No. 7**

Fig No	Code No.	Material Description	CB	Metal TOP	Fig No	Code No.	Material Description	CB	Metal TOP
1	B008031810202	Pump Body	1	1					
-	B008031800201	Oil Pump Assembly	1	1					
2	B008031810306	Pumping Gear (Driving)	1	1					
3	A000094303037	Woodruff Key	1	1					
4	B008031810406	Pumping Gear (Driven)	1	1					
5	B008031840202	End Plate	1	1					
6	A000092806012	Wave Washer B6	1	1					
7	A000091506040	Socket Head Bolt M6 x 40	1	1					
8	A000092808012	Wave Washer B8	2	2					
9	A000091508045	Socket Head Bolt M8 x 45	2	2					
10	B008031810206	External Gear	1	1					
11	A000092708000	Spring Washer	1	1					
12	A000092108130	Nut M8 x 1.25	1	1					
13	B008030180035	Relief Valve Body	1	1					
-	B008030100170	Relief Valve Assly.	NSSP	NSSP					
14	B008030180029	Joint (Relief Valve)	1	1					
15	C005401999008	Steel Ball 7.144 mm	1	1					
16	B008039931501	Spring ( Relief Valve Assly. )	1	1					
17	B008030180135	Flange ( For Pressure Relief Valve )	1	1					
18	B008030180078	Retainer	1	1					
19	A000090306013	Bolt M6 x 12	2	2					

**MECHANICAL GOVERNER & INJECTION PUMP CONTROL LEVER**

**Diagram No. 8**



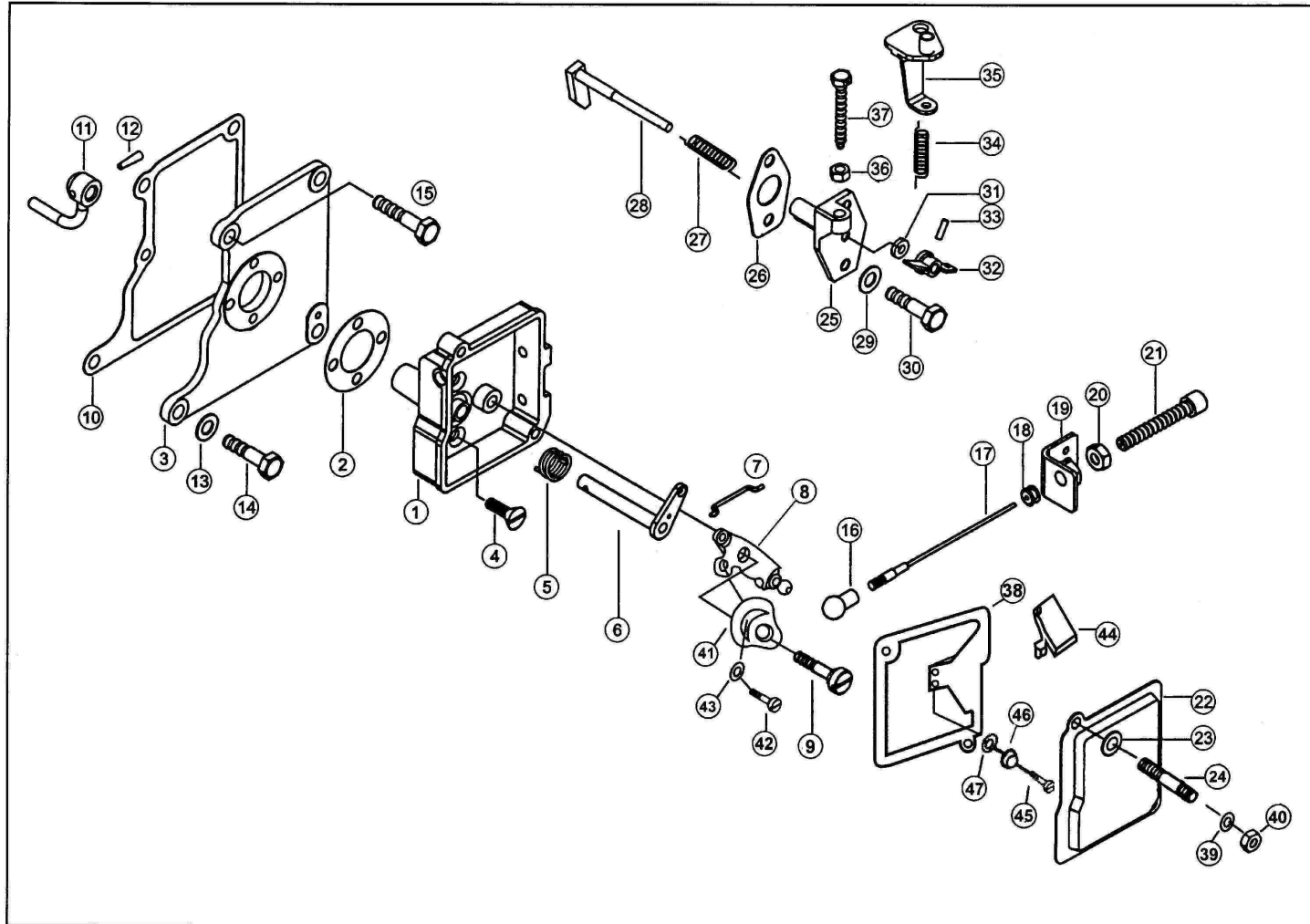


**Mechanical Governor & Injection Pump Control Lever**
**Dia No. 8**

Fig No	Code No.	Material Description	CB	Metal TOP	Fig No	Code No.	Material Description	CB	Metal TOP
1	B008030600074	Governor Shaft Assly. with Pin	1	1					
2	A000092510000	Plain Washer	1	1					
3	A000092110152	Nut	1	1					
4	B008030610040	Washer	1	1					
5	B008030610025	Governor Bell	1	1					
6	A000094414100	Circlip	1	1					
7	B008039970010	Steel Ball 9/16"	6	6					
8	B008030600057	Governor Gear	1	1					
9	B008030610050	Bush ( Governor gear)	As Reqd	As Reqd.					
10	B008030610007	Disc ( Governor gear)	1	1					
11	B008030610078	Lock Plate ( Governor gear)	1	1					
12	B008039900071	Hex. Bolt M6 x 16	1	1					
13	B008030630010	Support ( Governor pin )	1	1					
14	A000092906400	External Star Washer	2	2					
15	A000090306035	Hex. Head Bolt M6 x 35	1	1					
16	A000091006030	Counter Sunk Screw M6 x 30	1	1					
17	B008030630002	Fork ( Governor)	1	1					
18	B008030630191	Leaf Spring ( For governor )	3	3					
19	B008030630054	Spacer	1	1					
20	B008030630078	Lock Plate ( Governor Leaf spring)	1	1					
21	A000090305020	Hex. Head Screw M5 x 20	1	1					
22	A000090305012	Hex. Head Screw M5 x 12	1	1					
23	B008030630001	Rack Control Lever	1	1					
24	B008030630174	Pin ( for Torque Control Device)	1	1					
25	B008030630140	Pre Tension Washer 0.5 mm. thick	1	1					
-	B008030630140	Pre Tension Washer 0.3 mm. thick	1	1					
-	B008030630240	Pre-Tension Washer 0.1 mm. thick	1	1					
26	A000094201008	Split Pin	1	1					
27	C000001002009	Taper Pin Dia 3 x 18	1	1					
28	B008030630074	Pin for Rack Control Lever	1	1					

**THROTTLE REMOTE CONTROL & EXTRA FUEL STOP DEVICE**

**Diagram No. 9**



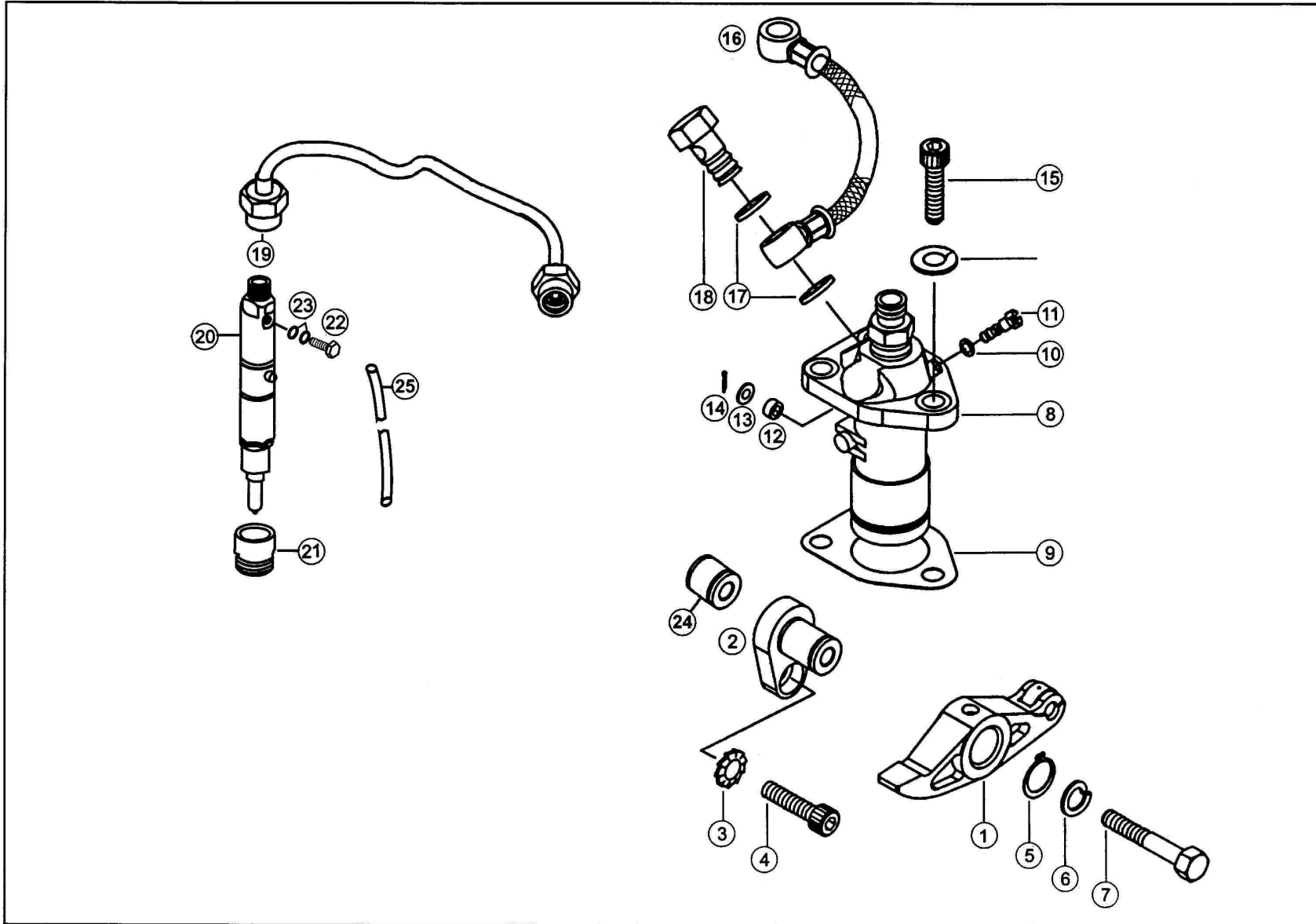
**Throttle Remote Control & Extra Fuel Stop Device**

**Dia No. 9**

Fig No	Code No.	Material Description	CB	Metal TOP	Fig No	Code No.	Material Description	CB	Metal TOP
1	B008030710101	Housing Accelerator Control	1	1	27	B008030730020	Spring	1	1
2	B008030710080	Gasket	1	1	28	B008030730074	Pin with Cam Assly.	1	1
3	B008030150805	Side Cover	1	1	29	A000092506000	Washer	2	2
4	A000091106015	Countersunk Screw M6 x 15	3	3	30	A000090306017	Hex. Head Screw M6 x 16	2	2
5	B008030720020	Spring	1	1	31	B008030730080	Rubber Joint	1	1
6	B008030720121	Counter Lever	1	1	32	B008030730078	Knob (Extra Fuel Device)	1	1
7	B008030710027	Tie Rod	1	1	33	C000001002501	Taper Pin 2.5 x 10	1	1
8	B008030710310	Internal Throttle Lever Assly.	1	1	34	B008030730220	Cable Spring	1	1
-	B008030720010	Spherical pivot	1	1	35	B008030700212	Cable Support	1	1
9	B008030710271	Cap Screw	1	1	36	A000092106102	Hex. Nut M6 x 1	1	1
10	B008030150980	Gasket ( Side cover)	1	1	37	B008030730019	Hex. Bolt M6.1 x 49.5	1	1
11	B008030700021	Counter Lever Assly.	1	1	38	B008030710402	Spacer for accelerating housing	1	1
12	C000001002009	Taper Pin 3 x 18	1	1	39	A000092506000	Plain washer	2	2
13	A000092808000	Wave Washer	3	3	40	A000092106102	Hex head stud	2	2
14	A000090308023	Hex. Head Screw M8 x 20	3	3	41	B008030730114	EGR cam plate	1	1
15	A000090308028	Hex. Head Screw M8 x 25	1	1	42	A000091505013	Setting screw	1	1
16	B008030720076	Ball Socket	1	1	43	A000092705000	Spring washer B5	1	1
17	B008523002185	Accelerator Cable-SLC	1	-	44	B008031500124	EGR switch With Bracket	1	1
-	B008523001085	Accelerator Cable (P/U)	-	1	45	A000091003014	Countersunk AM3 x 14	2	2
18	B008039870081	Rubber Grommet	1	1	46	A000092103051	Hex nut M3 x 0.5	2	2
19	B008030720241	Abutment Bracket	1	1	47	A000092703000	Spring washer B3	2	2
20	A000092108130	Hex. Nut	1	1	48	B008031540130	Rubber sleeve foe EGR switch	1	1
21	B008030710088	Cable End	1	1					
22	B008030710102	Cover ( Acc. Housing)	1	1					
23	A000092506000	Washer	2	2					
24	A000090306014	Hex head Stud M6 x 15	2	2					
25	B008030730030	Support Bracket for extra Fuel Device	1	1					
26	B008030730180	Joint 0.5 mm.	As Reqd	As Reqd.					
-	B008030730280	Joint 0.8 mm.	As Reqd	As Reqd.					
-	B008030730380	Joint 1.2 mm.	As Reqd	As Reqd.					

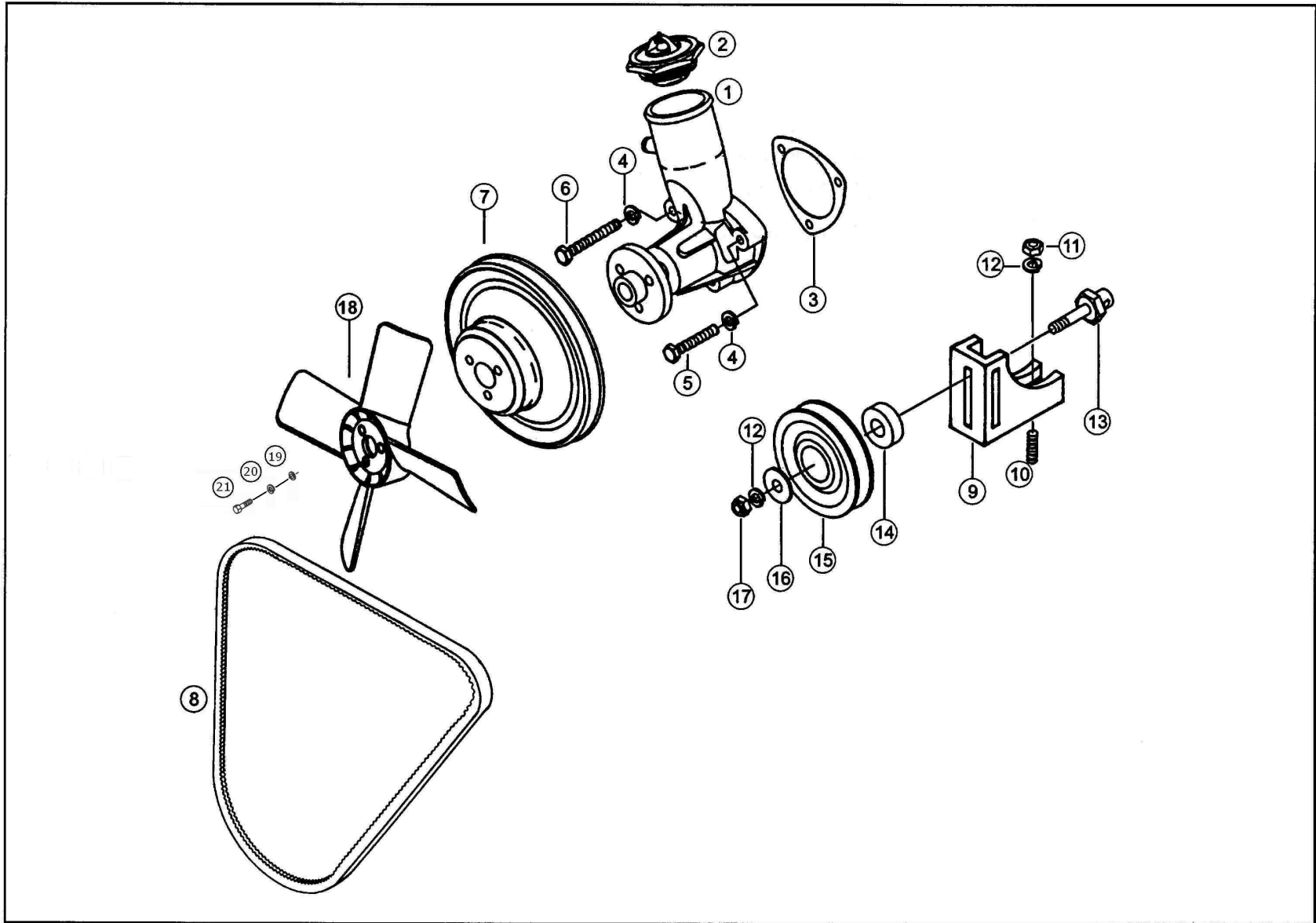
# FUEL INJECTION SYSTEM

Diagram No. 10



**Fuel Injection System**
**Dia No. 10**

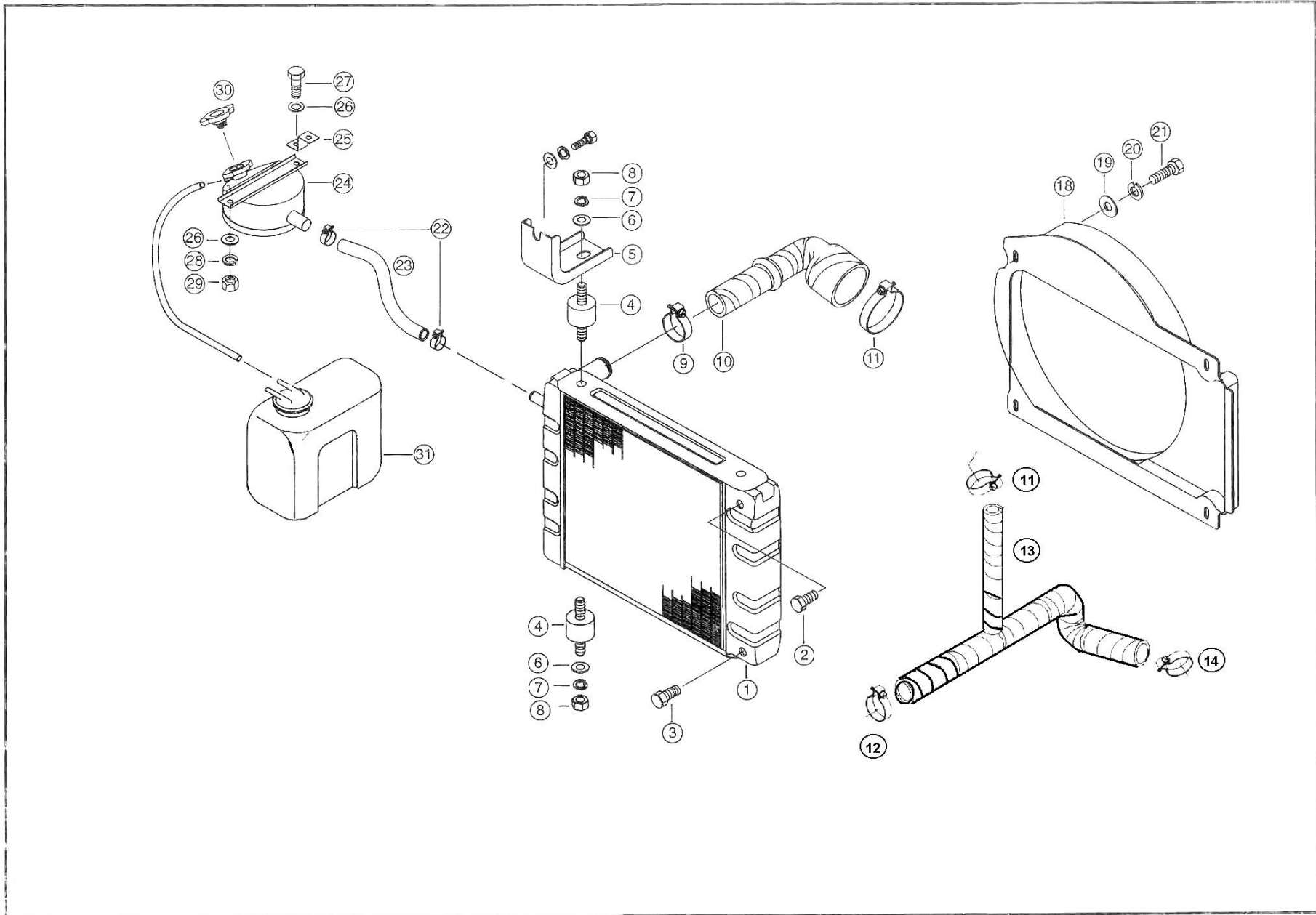
Fig No	Code No.	Material Description	CB	Metal TOP	Fig No	Code No.	Material Description	CB	Metal TOP
1	B008030700325	Rocker Arm Assly.	1	1	-	B008030980155	Overflow Banjo ( FIP Banjo )	1	1
2	B008030750474	Fulcrum Pin	1	1	-	B008529961311	Clinch Type Clamp	1	1
3	A000092908500	Star Washer	1	1	-	B008529951411	Clinch Type Clamp	1	1
4	A000091508018	Hex. Socket Screw M8 x 18	1	1	-	B008524750226	Fuel pipe	1	1
5	A000094418120	Circlip	1	1	-	B008030700241	Assly. Bracket	1	1
6	A000092708000	Spring Washer	7	7	-	B008030730320	Spring (Extra Fuel Device)	1	1
7	A000090108055	Hex. Head Bolt M8 x 55	1	1	-	B008030730019	Hex. Head screw.	1	1
8	B008030701801	Injection Pump Assly. (with CO. SKIT - 050-058)	1	1	-	B008030730220	Spring stopper.	1	1
9	B008030740080	Joint 0.1 mm. ( Fuel pump to crank case )	As Reqd	As Reqd	-	B008039900305	Stud M6	1	1
-	B008030740180	Joint 0.3 mm.	As Reqd	As Reqd	-	A000092106102	Nut M6	1	1
-	B008030740280	Joint 0.5 mm.	As Reqd	As Reqd	-	B008526190141	D-Compression & stopper cable holding bracket	1	1
10	A000020146102	Washer	1	1	-	B008529870335	Holding rubber	1	1
11	B008030980073	Air Vent Screw	1	1					
12	B008030630050	Bush ( Fuel Injection Rack )	1	1					
13	C001440005000	Washer Dia 5 mm.	1	1					
14	A000094202012	Split Pin 2 x 12	1	1					
15	A000091508025	Allen Bolt M8 x 25	1	1					
16	B008030980626	Flexible Hose Filter to Pump	1	1					
17	C007603014106	Sealing ring	2	2					
18	A000020146122	Banjo Bolt	2	2					
19	B008030981182	High Pressure Pipe Assly.	1	1					
20	B008030100452	Injector Assly.	1	1					
21	B008039901851	Injector Nut	1	1					
22	No code	Banjo Bolt	NSSP	NSSP					
23	No code	Sealing washer	NSSP	NSSP					
24	B008030150375	Sleeve Dowel	1	1					
-	B008524760101	Overflow Pipe - Injector to Tank	1	1					



Water Pump & Idler Pulley					Dia No.11				
Fig No	Code No.	Material Description	CB	Metal TOP	Fig No	Code No.	Material Description	CB	Metal TOP
1	B008032001001	Water Pump assly with roller brg.	1	1	18	B008032000623	Fan - 4 Blade (Reverse Rotataion)	1	1
2	B008032000115	Thermostat Assly.	1	1	19	A000092508000	Plain Washer M8	3	3
3	B008032030080	Gasket (Water Pump)	1	1	20	A000092708000	Spring Washer B8	3	3
4	A000092708000	Spring Washer	10	10	21	A000090308031	Hex Head Screw M8 X 30	3	3
5	A000090008035	Hex. Head Bolt M8 x 35	2	2					
6	A000090008046	Hex. Head Bolt M8 x 45	1	1					
7	B008032050910	Water Pump Pulley	1	1					
8	B008089970892	Cogged Belt for Water Pump (A x 46)	1	1					
9	B008031541311	Bracket Idler	1	1					
10	A000091810032	Stud M 10 x 30	2	2					
11	B008039901551	Hex. Nut	2	2					
12	A000092710000	Spring Washer B10	3	3					
13	B008031540174	Shaft Idler	1	1					
14	B008032500315	Pilot Bearing (6202-2RS)	1	1					
15	B008031520102	Pulley	1	1					
16	A000092516000	Plain Washer Idler	1	1					
17	C000934014006	Nyloc Nut M8	1	1					
-	C000472035000	Int. Circlip 35 x 1.5	1	1					

# ENGINE COOLING SYSTEM - PICK-UP

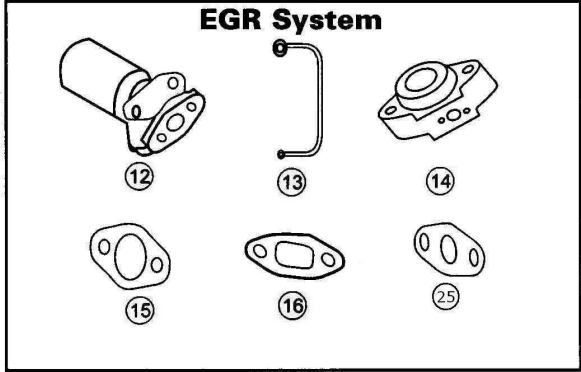
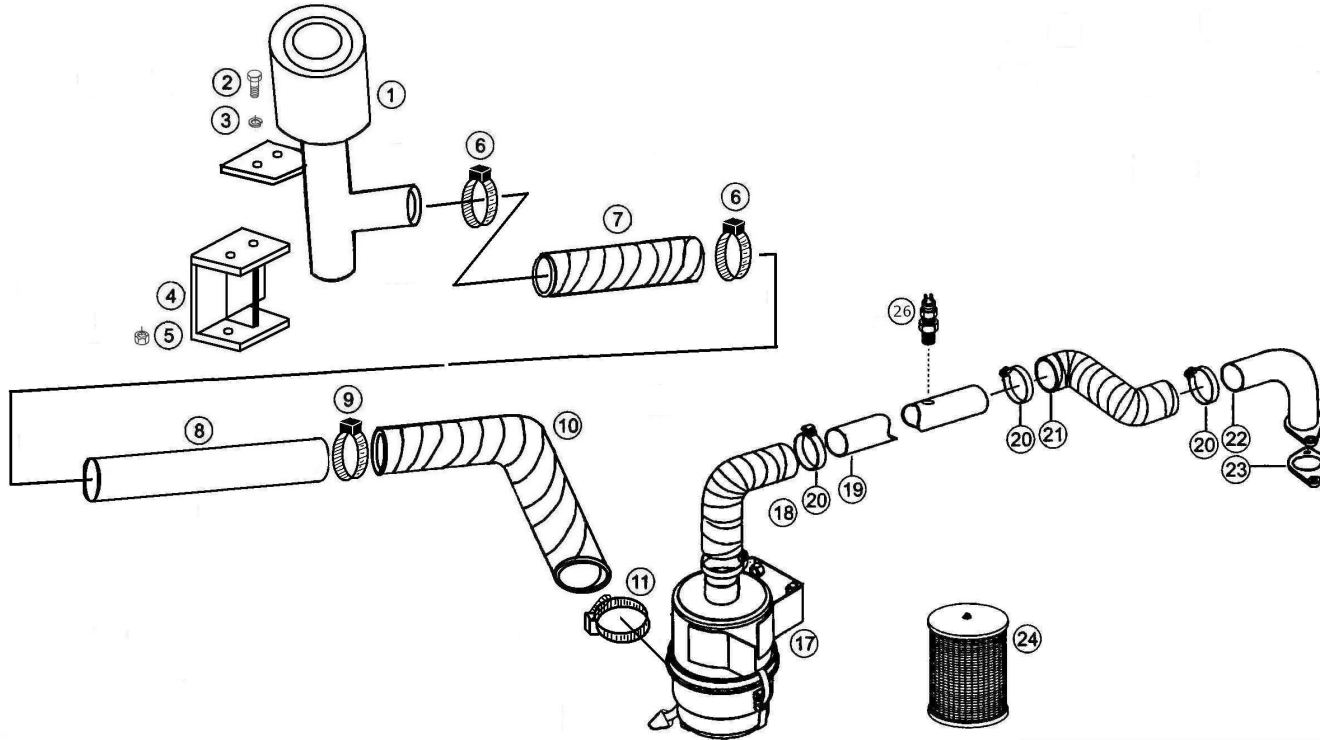
Diagram No. 12





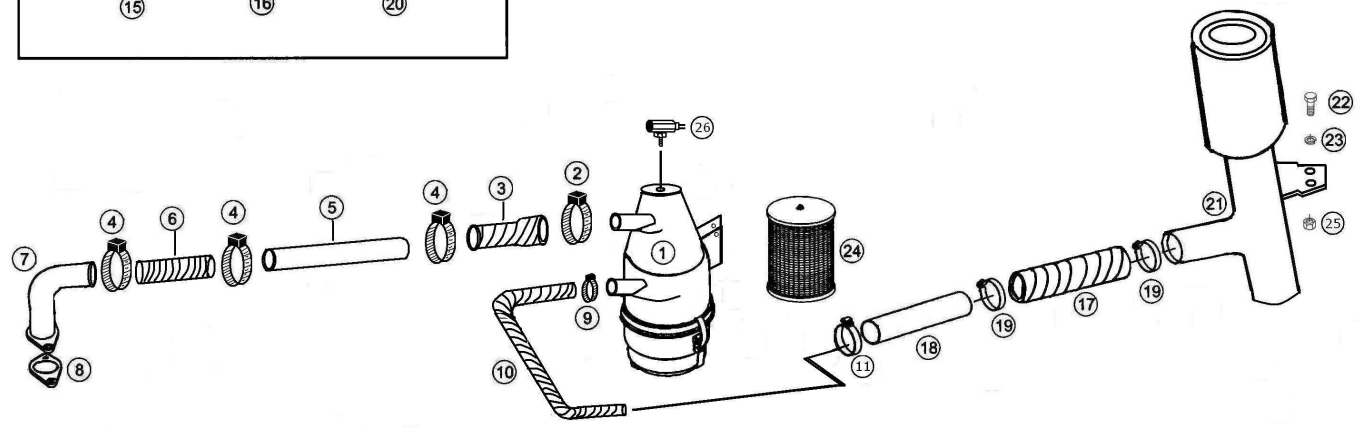
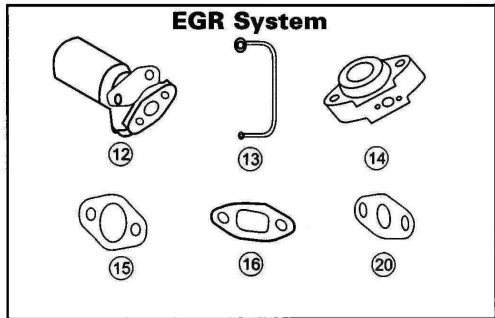
Engine Cooling System - (CB & Metal Top)								Dia No. 12	
Fig No	Code No.	Material Description	CB	Metal TOP	Fig No	Code No.	Material Description	CB	Metal TOP
1	B008525000903	Radiator Assly. (Modified)	1	1	29	A000092106102	Hex. Nut M6 x 1.25	2	2
2	B008529900501	Screw Plug	1	1	30	B008525000106	Cap (Surge tank)	1	1
3	B008529900601	Screw Plug	1	1	31	B008555000110	Condensation Tank	1	1
4	A000023055072	Bonded Rubber Pad	4	4					
5	B008525041641	Radiator Support Bracket	2	2					
6	A000092508000	Plain Washer M8	10	10					
7	A000092708000	Spring Washer B6	10	10					
8	A000092108130	Hex. Nut M6 x 1.25	6	6					
9	B008529950011	Hose Clip	5	3					
10	B008525010982	Radiator Top Hose	1	1					
11	B008529950111	Hose Clip	1	1					
12	B008529950011	Hose Clip	2	2					
13	B008525012182	Hose Radiator to Engine	1	1					
14	B008529950011	Hose Clip	1	1					
18	B008525050955	Radiator Cowl (FRP DI BS-II)	1	1					
19	A000099105016	Plain Washer	4	4					
20	A000092706000	Spring Washer	4	4					
21	A000090306021	Hex. Head Bolt M6 x 20	4	4					
22	B008529950411	Hose Clip	3	3					
23	B008525010782	Rubber Hose Surge Tank to Radiator	1	1					
24	B008525000010	Radiator Surge Tank	1	1					
25	B008525040941	Support Bracket (Surge Tank)	2	2					
26	A000092506000	Plain Washer M6	8	8					
27	A000090306021	Hex. Head Screw M6 x 20	4	4					
28	A000092706000	Spring Washer	4	4					

# AIR INTAKE SYSTEM - METAL TOP



Intake System - Metal Top							Dia No. 13		
Fig No	Code No.	Material Description	CB	Metal TOP	Fig No	Code No.	Material Description	CB	Metal TOP
1	B008520903080	Pre-Cleaner	-	1	-	A000091508029	Stud M8 x 28 ( For EGR pipe to intake manifold )		2
2	A000090308019	Hex Head Screw M8 X 18	-	4	-	A000092708000	Spring washer B8		2
3	A000092708000	Spring Washer B8	-	4	-	A000092508000	Plain washer		4
4	B008520900341	Pre-Cleaner Mtg. Bkt Assly.	-	2	22	B008031411501	Intake Manifold		1
5	A000092108130	Hex Nut M8 X 1.25	-	2	23	B008031410380	Gasket for Intake Manifold		1
6	B008529950211	Hose Clip	-	2	24	B008520940010	Air Cleaner Cartridge		1
7	B008520940682	Hose		1	25	B008031420180	Gasket ( Intake manifold to EGR valve )		1
8	B008520942408	Air Pipe (Air Cleaner)	-	1	26	B008525450017	Air Chock Indicator		1
9	B008529950211	Hose Clip	-	1					
10	B008520942582	Air Cleaner Hose	-	1					
11	B008529950211	Hose Clip	-	1					
12	B008031500365	EGR Valve assly.	-	1					
-	A000091808018	Stud M8 x 18		2					
-	A000092708000	Spring washer		2					
13	B008031400027	EGR Pipe assly.	-	1					
-	A000091508019	Stud M8 x 18 ( For EGR pipe to Exhaust flange )		2					
-	A000092706000	Spring washer		2					
14	B008524920245	Exhaust flange	-	1					
15	B008031420380	Gasket ( EGR Pipe to Intake manifold )	-	1					
16	B008031420280	Gasket ( EGR Pipe to Exhaust flange )	-	1					
17	B008520901980	Air Cleaner Assly. -1.5 Cu. Meter	-	1					
18	B008520943082	Hose Intake To Air Pipe	-	1					
19	B008520900808	Air Intake Tube Assly.	-	1					
20	B008529950211	Hose Clip	-	3					
21	B008520942682	Air Cleaner Hose ( Air Pipe to Intake Manifold)		1					

# AIR INTAKE SYSTEM- cB

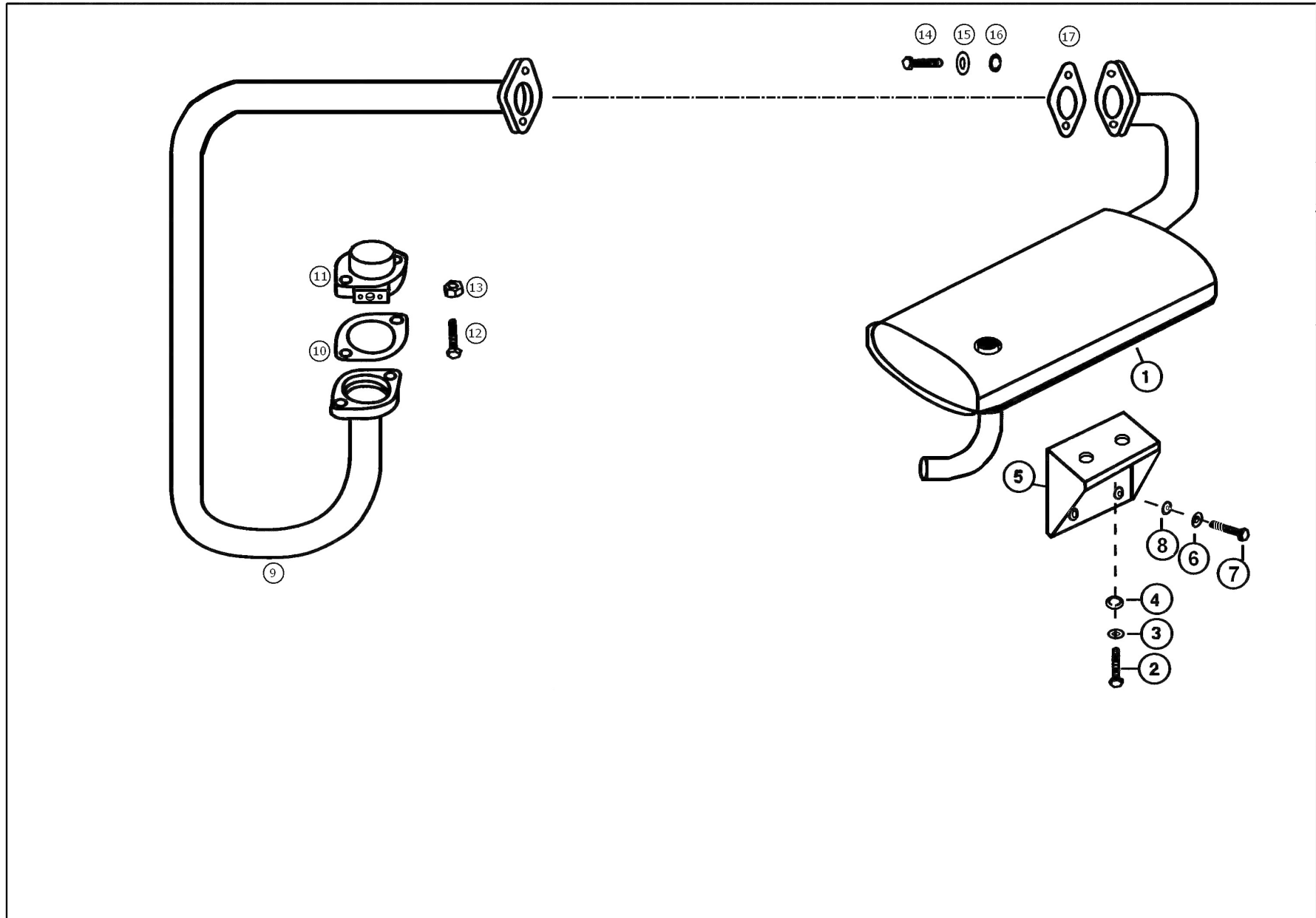


**Intake System- CB**

**Dia No. 14**

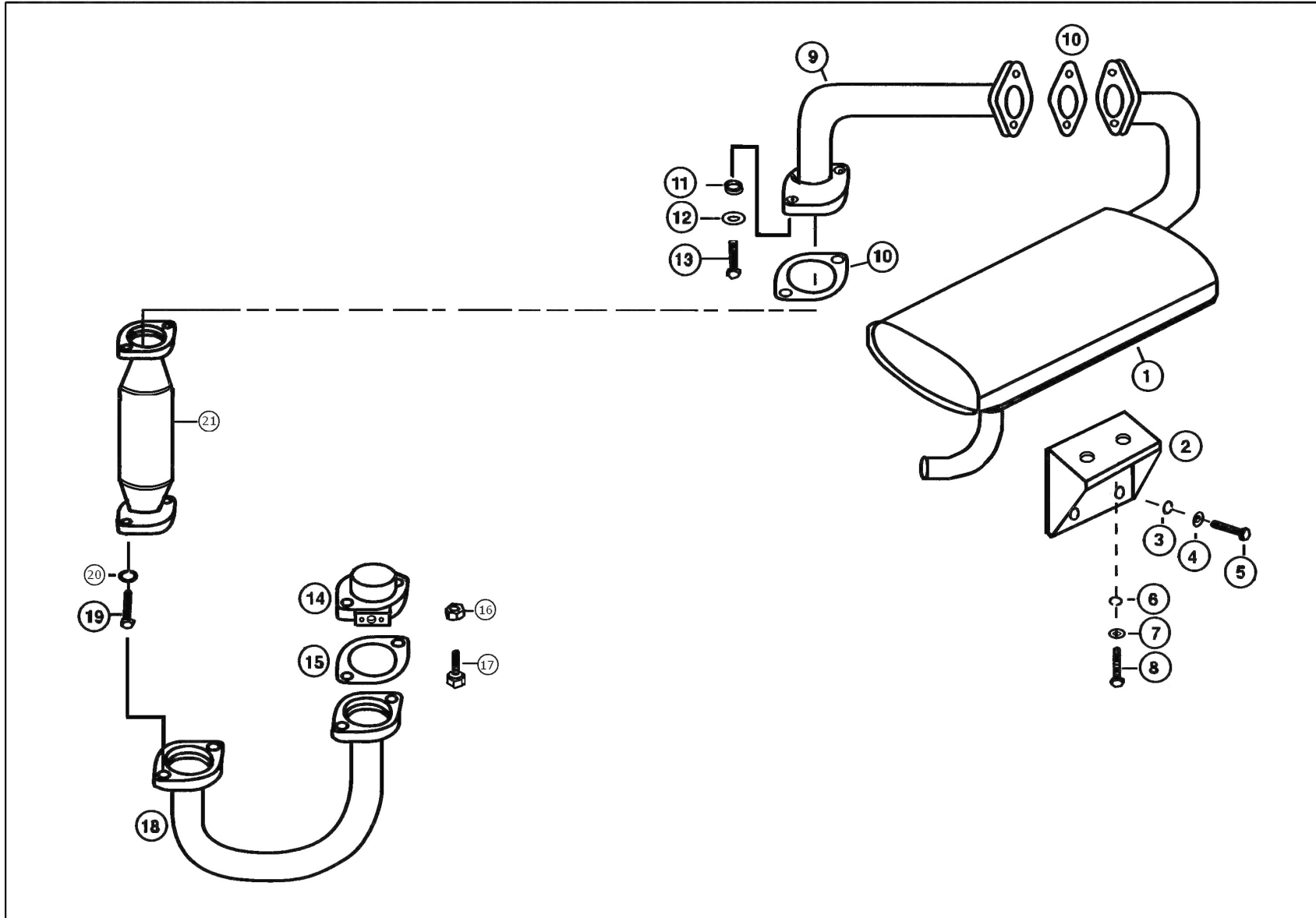
Fig No	Code No.	Material Description	CB	Metal TOP	Fig No	Code No.	Material Description	CB	Metal TOP
1	B008520902480	Dry type Air cleaner assly. - SLC (Plastic Tyne)		1	16	B008031420280	Gasket ( EGR Pipe to Exhaust flange )		1
2	T006869970190	Hose clip (Size -46 mm)		2	-	A000090306019	Hex head stud		2
3	B008520944382	Hose (Air cleaner to Air pipe)		1	-	A000092706000	Spring washer		2
4	B008529950211	Hose clip		3	17	B008520940682	Hose		1
5	B008520942108	Air pipe		1	18	B008520942308	Air Cleaner intake tube		1
6	B008520944482	Hose ( Air pipe to engine intake )		1	19	B008529950211	Hose Clip		2
7	B008031411501	Intake Manifold		1	-	B008520940341	Air inlate tube holding bracket		2
8	B008031410380	Gasket for Intake Manifold		1	20	B008031420180	Gasket ( Intake manifold to EGR valve )		1
9	B008529950211	Hose clip		2	21	B008520903080	Pre cleaner		1
10	B008520944282	Hose (Air cleaner to Air intake tube)		1	22	A000090306021	Hex head screw M 6 x 20		4
11	B008529950211	Hose clip		1	23	A000092706000	Spring washer		4
12	B008031500365	EGR Valve assly.		1	24	B008520940110	Air cleaner Cartiage		1
-	A000091808018	Stud M8 x 18		2	25	A000092106102	Hex nut		4
-	A000092708000	Spring washer		2	26		Air Choke Switch		1
13	B008031400027	EGR Pipe assly.		1					
-	A000091508029	Stud M8 x 20 ( for EGR pipe to intake manifold )		2					
-	A000092708000	Spring washer B8		2					
-	A000092508000	Plain washer		4					
-	A000091508019	Stud M8 x 18 ( for EGR pipe to Exhaust flange )		2					
14	B008524920245	Exhaust flange		1					
15	B008031420380	Gasket ( EGR Pipe to Intake manifold )		1					

EXHAUST SYSTEM - cB



Exhaust System - cB					Dia No. 15				
Fig No	Code No.	Material Description	CB	Metal TOP	Fig No	Code No.	Material Description	CB	Metal TOP
1	B008524901691	Silencer Assly.	1	-					
2	A000090310021	HHS M10 x 20	2	-					
3	A000092710000	Spring washer	2	-					
4	A000092510000	Plain washer	2	-					
5	B008524900341	Silencer Mtg. Bkt ( Crankcase Side)	1	-					
6	A000092710000	Spring washer	4	-					
7	A000090310021	HHS M10 X 20	4	-					
8	A000092510000	Plain washer	4	-					
9	B008524901701	Ex. Pipe assly.	1	-					
10	B008524920280	Gasket for adaptor	1	-					
11	B008524920245	Exhaust flange	1	-					
12	A000091508019	Stud	2	-					
13	A000092108130	Hex nut M8 x 1.25	2	-					
14	A000091508019	SHS M8 x 18	2	-					
15	A000092708000	Spring washer	2	-					
16	A000092508000	Plain Washer	2	-					
17	B008524920180	Gasket - Flange	1	-					

EXHAUST SYSTEM- METAL TOP

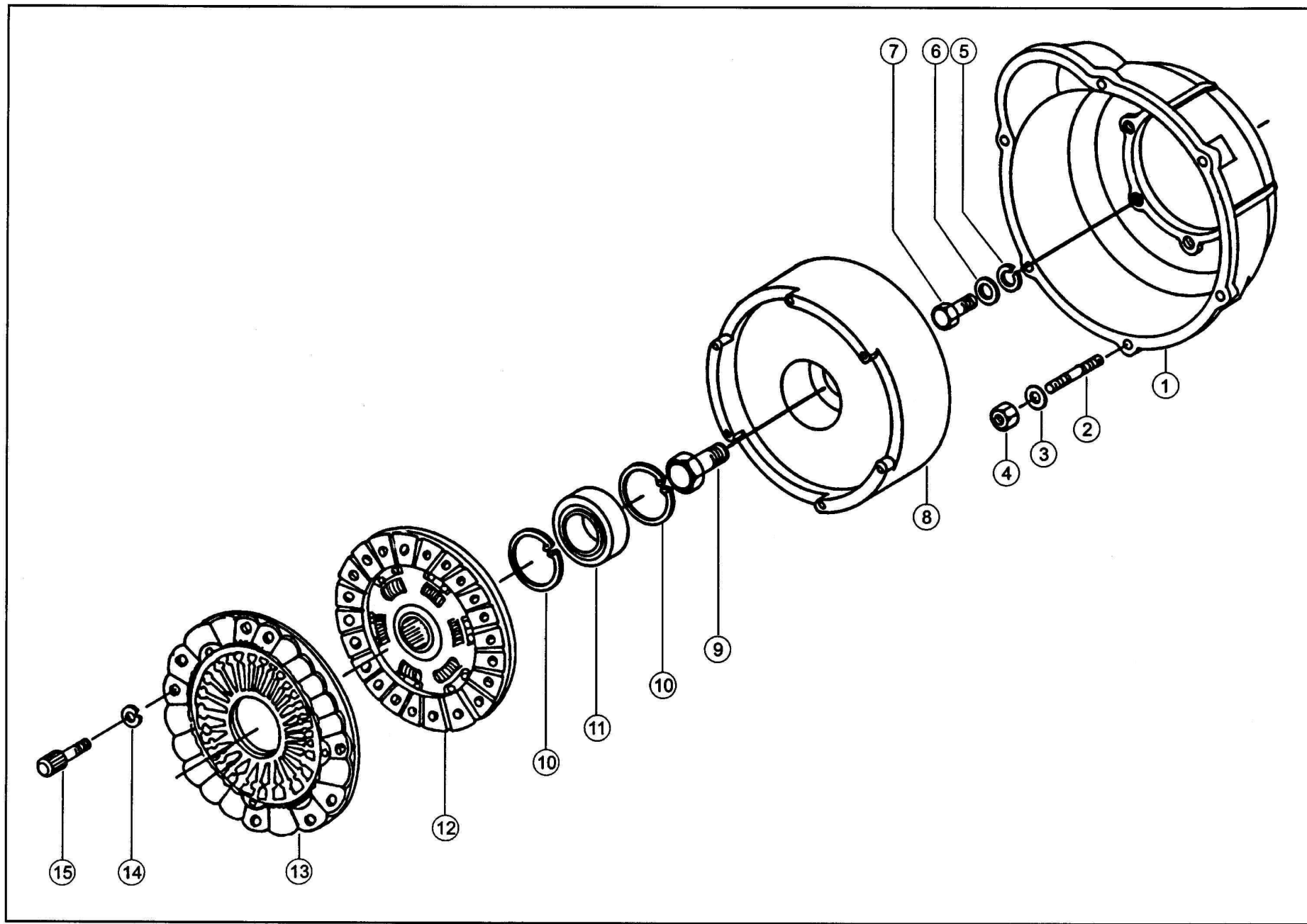






# CLUTCH ASSEMBLY

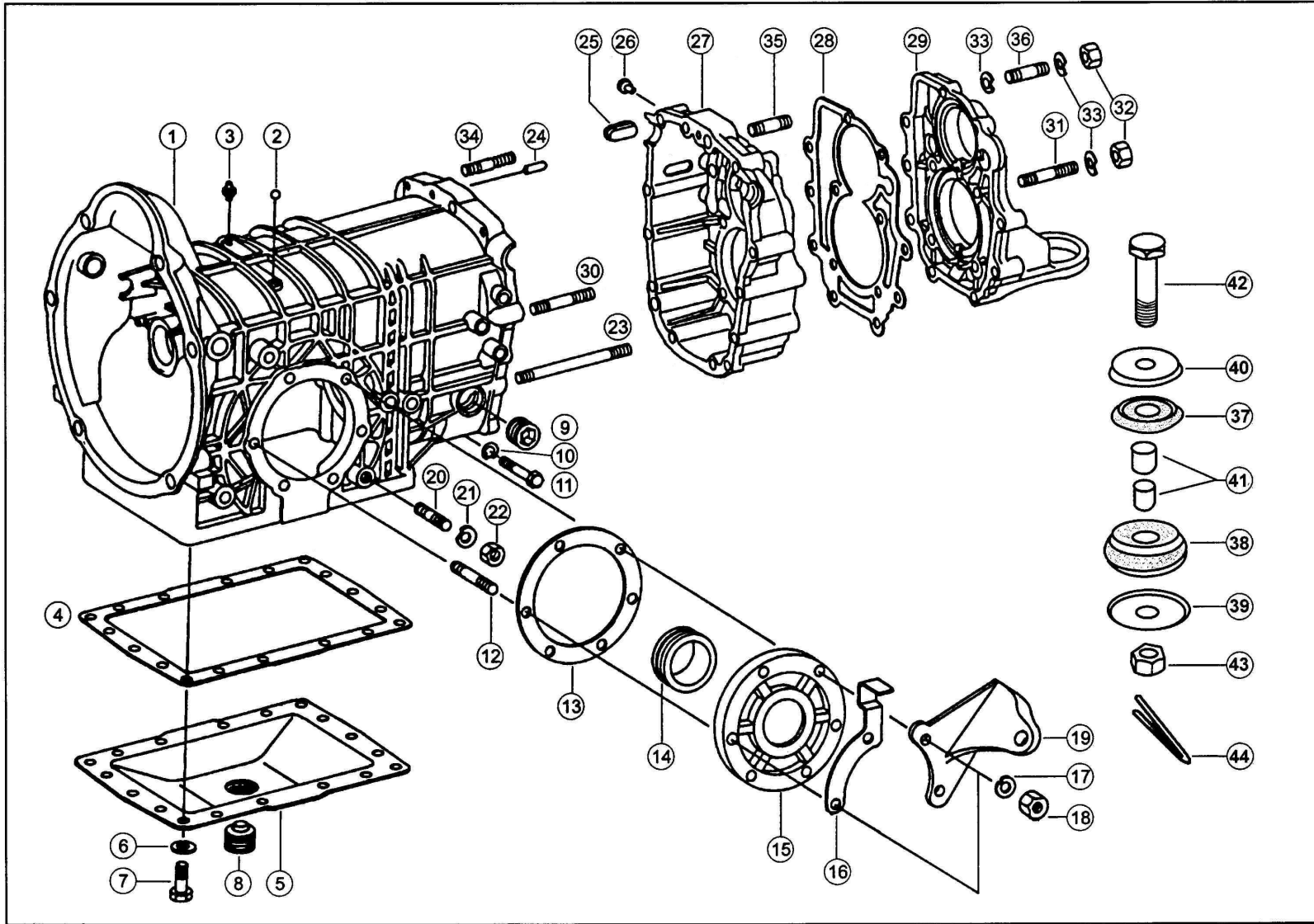
Diagram No. 1E



**Clutch Assembly****Dia No. 17**

Fig No	Code No.	Material Description	CB	Metal TOP	Fig No	Code No.	Material Description	CB	Metal TOP
1	B008032510301	Bell Housing	1	1					
2	B008032510070	Stud for Bell Housing To G. B.	4	4					
3	A000092808000	Wave Washer	4	4					
4	A000092108130	Hex. Nut M8 x 1.5	4	4					
5	A000092708000	Spring Washer B8	6	6					
6	A000092508000	Plain Washer M8	6	6					
7	A000090308028	Hex. Head Screw M8 x 25	6	6					
8	B008032520304	Flywheel Bare	1	1					
-	B008032500005	Flywheel With Gear Ring	1	1					
-	B008030320105	Starter Gear Ring	1	1					
9	B008030310071	Flanged Bolt	1	1					
10	C000472035000	Circlip 35 x 1.5	2	2					
11	B008032500315	Pilot Bearing	1	1					
12	B008032500503	Clutch Plate (6 1/4")	1	1					
13	B008032500404	Cover Assembly (6 1/4")	1	1					
14	A000092708000	Spring Washer B8	6	6					
15	A000091508018	Hex. Socket Bolt M8 x 18	6	6					

# GEAR BOX HOUSING

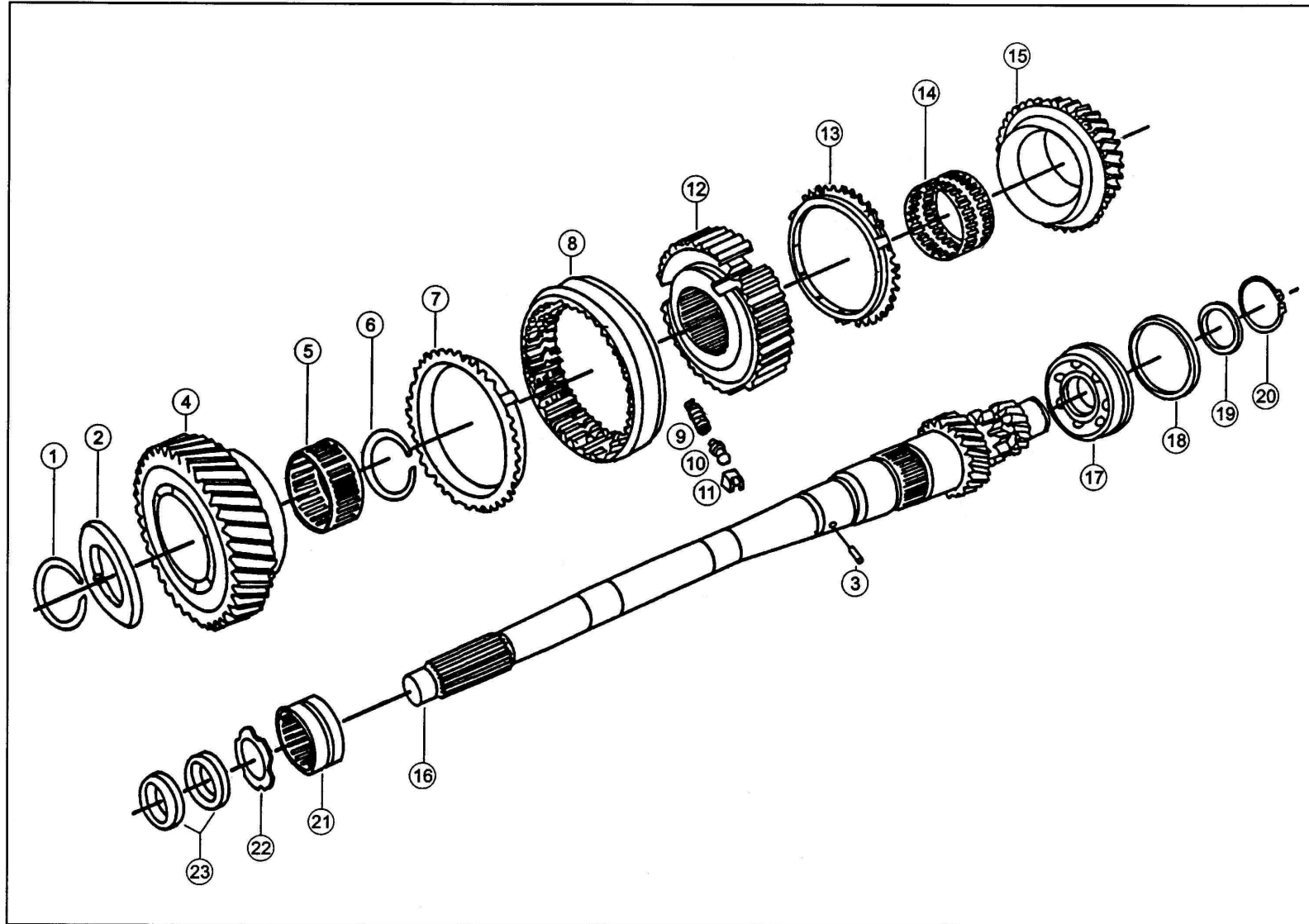


**Gear Box Housing**

**Dia No. 18**

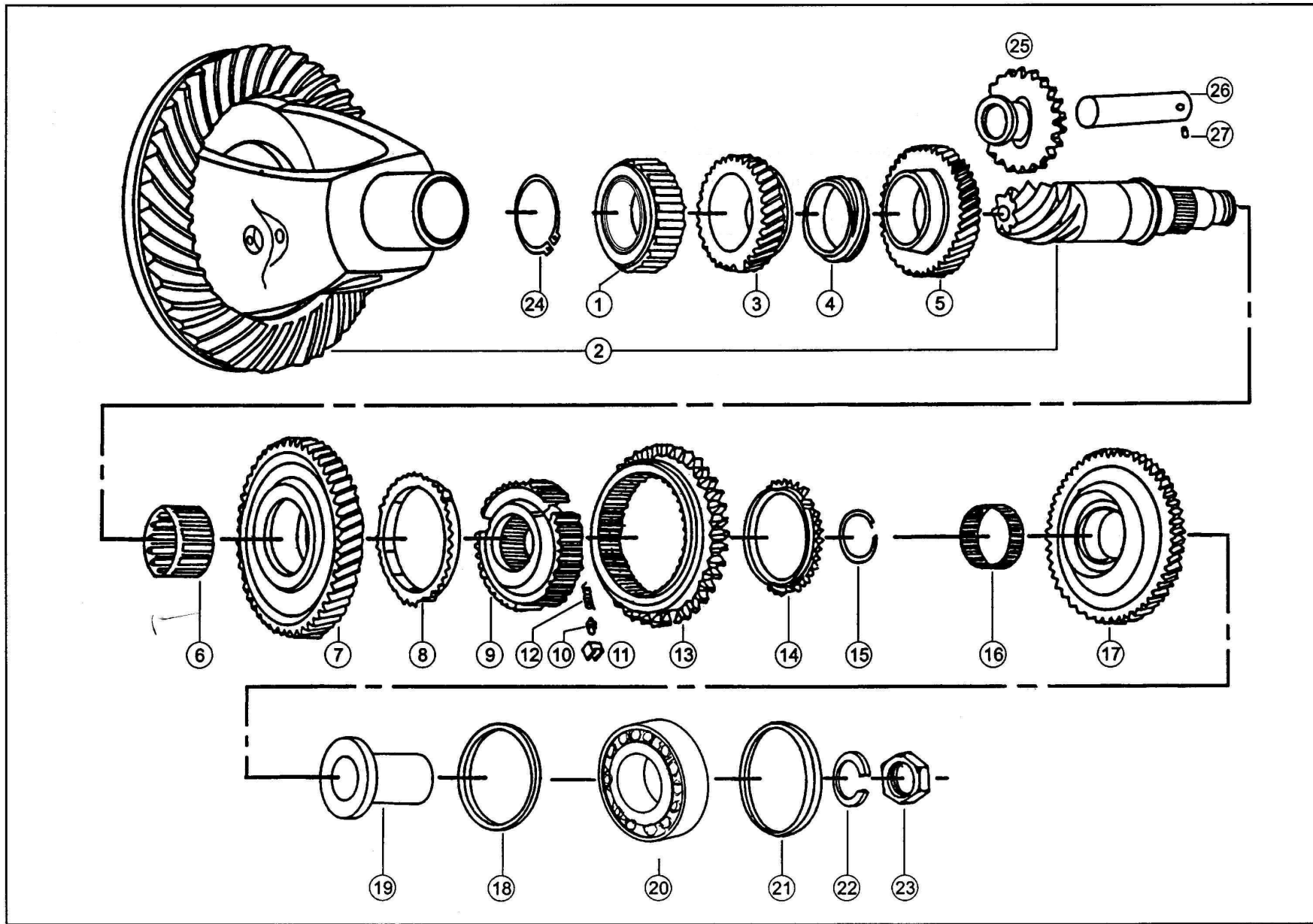
Fig No	Code No.	Material Description	CB	Metal TOP	Fig No	Code No.	Material Description	CB	Metal TOP
1	B008132601821	Gear Box Housing	1	1	23	A000022001193	Stud M8 x 108	2	2
2	A000022001052	Steel Ball	1	1	24	A000022001102	Dowel Pin 12 x 40	2	2
3	A000022001062	Breather Valve	1	1	25	A000022001092	Rubber Plug	1	1
4	B008132610279	Gasket for Bottom Cover	1	1	26	A000022001082	Rubber Plug	2	2
5	B008132600128	Bottom Cover	1	1	27	No Code	Intermediate Cover	NSSP	NSSP
-	A000020103132	Bush for oil sump	1	1	28	A000022001122	Gasket End Cover	1	1
6	A000092808000	Wave Washer B8	18	18	29	B008132610020	End Cover	1	1
7	A000090308019	Hex. Head Bolt M8 x 18	18	18	30	A000091608100	Stud M8 x 100	6	6
8	B001249970132	Magnetic Drain Plug	1	1	31	A000091808036	Stud M8 x 38	5	5
-	C007603024105	Sealing Ring for Drain Plug	1	1	32	A000092108130	Hex Nut M8 x 1.25	10	10
9	A000022001082	Oil Filling Plug - Small	1	1	33	A000092808000	Wave Washer	10	10
10	A000092808000	Wave Washer B8	1	1	34	A000022001193	Stud M8 x 108	3	3
11	A000022001193	Bearing Retaining Screw	1	1	35	A000091708050	Stud M8 x 50	1	1
12	A000091708030	Stud M8 x 30	10	10	36	A000091708030	Stud M8 x 30	1	1
13	B008132610379	Gasket for Side Flange	2	2	37	A000022085112	Gear Box Mounting Silent Block - Upper	1	1
14	B008269970347	Oil Seal for Side Flange	2	2	38	A000022085122	Gear Box Mounting Silent Block - Lower	1	1
15	B008132610937	Side Flange	2	2	39	A000022085092	Cup Washer	1	1
16	B008132610341	Stopper Bkt. for Spring	1	1	40	A000022085082	Cup Washer	1	1
-	A000092508000	Plain Washer M8 for Stopper Bkt.	4	4	41	A000022085072	Spacer Bush	1	1
-	A000092808000	Wave Washer B8 for Stopper Bkt.	4	4	42	A000022085102	Special Screw M20	1	1
-	A000092108130	Hex. Nut M8 x 1.25	4	4	43	A000092420150	Castle Nut M20 x 1.5	1	1
17	A000092808000	Wave Washer B8	12	12	44	A000094204040	Split Pin	1	1
18	A000092108130	Hex. Nut M8 x 1.25	12	12					
19	B008032510140	Abutment Bkt.	1	1					
20	A000090010091	Stud M10 x 90	2	2					
21	A000092810000	Wave Washer B10	2	2					
22	A000092110152	Hex. Nut M10	2	2					

# MAIN SHAFT ASSEMBLY



Main Shaft Assembly					Dia No. 19				
Fig No	Code No.	Material Description	CB	Metal TOP	Fig No	Code No.	Material Description	CB	Metal TOP
1	A000022010272	Retaining Ring	1	1	19	B008139940035	Snap Ring	1	1
2	A000022010267	Distance Washer 5.0 mm.	As Reqd	As Reqd	20	A000094420120	Circlip 20 x 1.2	1	1
-	A000022010257	Distance Washer 5.1 mm.	As Reqd	As Reqd	21	A000022001022	Needle Roller Bearing	1	1
3	A000093404016	Dowel Pin 4 x 16	1	1	22	A000021030332	Deflector	1	1
4	B008132600142	Gear Wheel - 4th Gear	1	1	23	A000022010412	Oil Seal	2	2
5	A000022010202	Needle Roller Bearing	1	1					
6	A000022010102	Snap Ring	1	1					
7	A000022010062	Synchroniser Ring	1	1					
8	A000022010125	Shifting Sleeve - 3rd & 4th Gear	1	1					
9	A000022010142	Pressure Spring	3	3					
10	A000022010152	Locking Piece	3	3					
11	A000022010132	Pressure Piece	3	3					
12	A000022010077	Synchroniser Body	1	1					
13	A000022010062	Synchroniser Ring	1	1					
14	A000022010022	Needle Cage	1	1					
15	B008132600342	Gear Wheel - 3rd Gear	1	1					
-	B008132620705	Main Shaft	1	1					
17	B008139810025	Ball Bearing	1	1					
18	B008132620752	Spacer for Main Shaft 2.0 mm. Thick	As Reqd	As Reqd.					
-	B008132620852	Spacer for Main Shaft 2.1 mm. Thick	As Reqd	As Reqd.					
-	B008132620952	Spacer for Main Shaft 2.2 mm. Thick	As Reqd	As Reqd.					
-	B008132620252	Shim 0.1 mm. Thick	As Reqd	As Reqd.					
-	B008132620352	Shim 0.3 mm. Thick	As Reqd	As Reqd.					
-	B008132620452	Shim 0.5 mm. Thick	As Reqd	As Reqd.					
-	B008132620552	Shim for Main Shaft	As Reqd	As Reqd.					

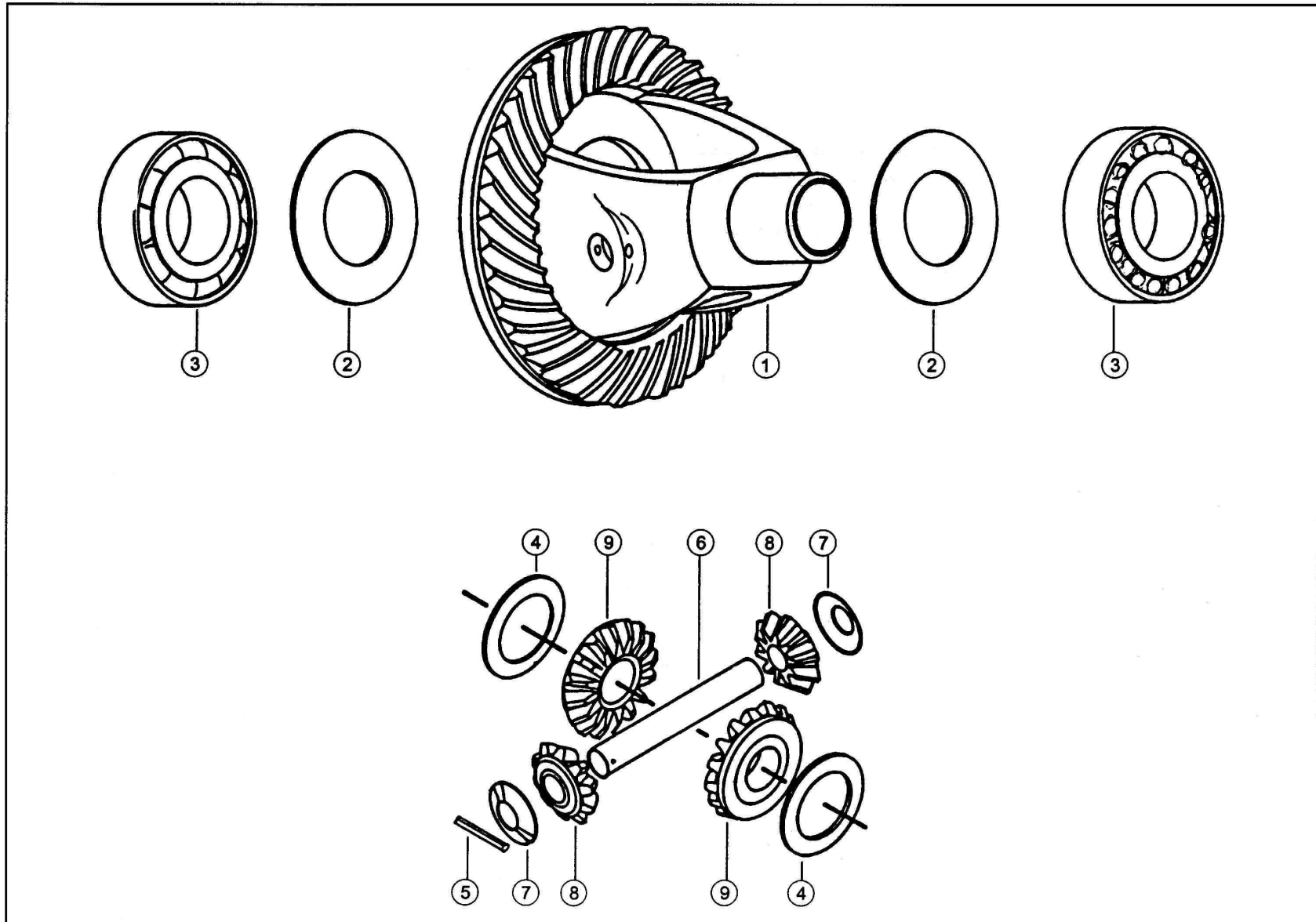
# LAY SHAFT ASSEMBLY





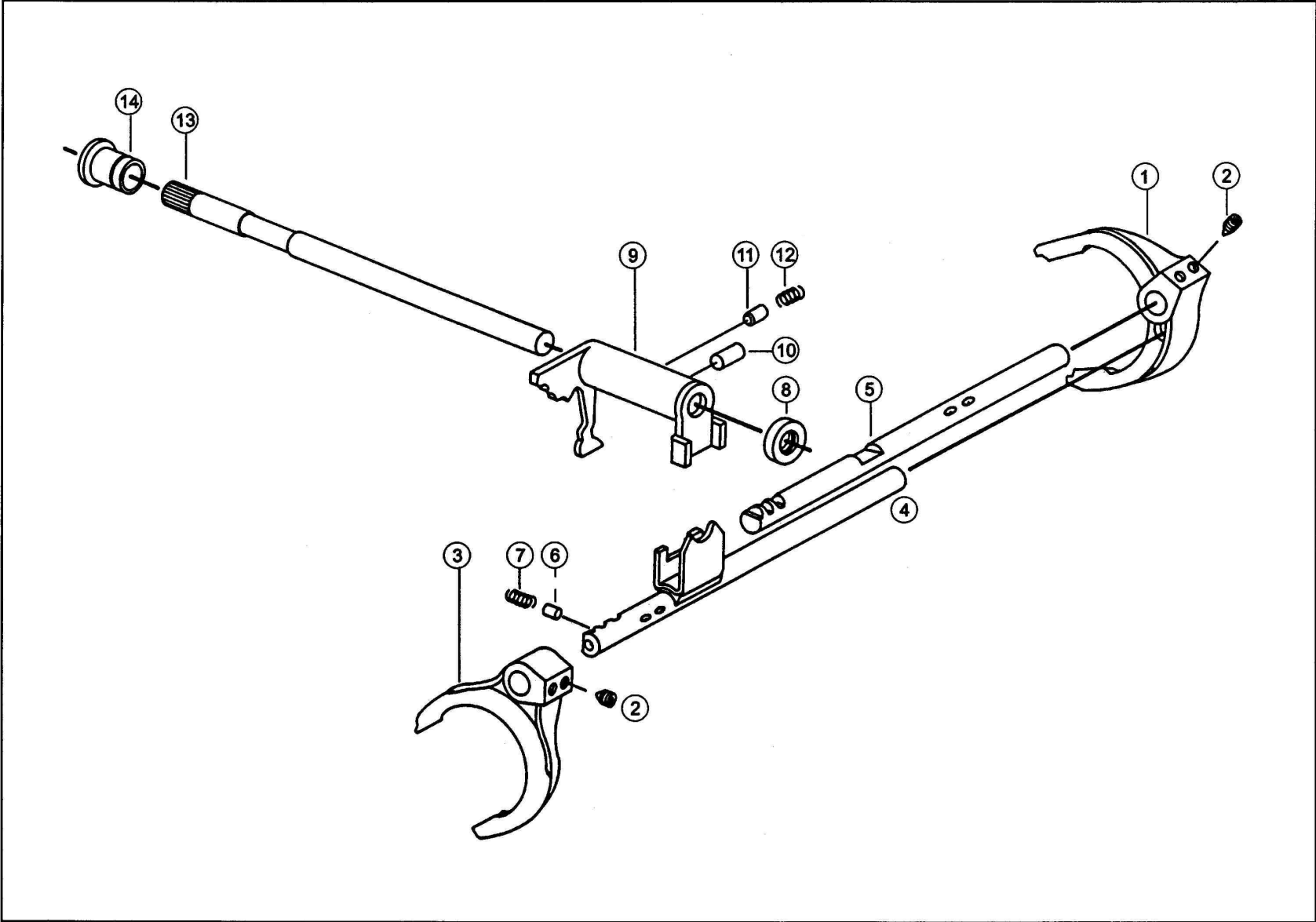
Lay Shaft Assembly					Dia No. 20				
Fig No	Code No.	Material Description	CB	Metal TOP	Fig No	Code No.	Material Description	CB	Metal TOP
1	B008139810210	Roller Bearing Assembly	1	1	21	A000022015252	Shim 89 x 70 x 1.0	As Reqd	As Reqd.
2	B008132600309	Crown Wheel & Pinion with Diff. Hsg.	1	1	-	A000022015262	Shim 89 x 70 x 0.8	As Reqd	As Reqd.
3	B008132630014	Gear Wheel - 4th Gear	1	1	-	A000022015272	Shim 89 x 70 x 0.6	As Reqd	As Reqd.
4	A000052040135	Speedo-Drive Worm	1	1	-	A000022015422	Shim 89 x 70 x 0.1	As Reqd	As Reqd.
5	B008132630013	Gear Wheel - 3rd Gear	1	1	-	A000022015432	Shim 89 x 70 x 0.3	As Reqd	As Reqd.
6	A000022015072	Needle Cage	1	1	-	A000022015452	Shim 89 x 70 x 0.6	As Reqd	As Reqd.
7	B008132630312	Gear Wheel - 2nd Gear	1	1	-	A000022015442	Shim 89 x 70 x 0.5	As Reqd	As Reqd.
8	A000022010062	Synchroniser Ring	1	1	22	B008132632752	Lock Washer	1	1
9	A000022010077	Synchroniser	1	1	23	A000022015232	Hex. Nut (Left Hand Thread)	1	1
10	A000022010152	Locking Piece	3	3	24	B008132634352	Circlip 42 x 1.75	1	1
11	A000022010132	Pressure Piece	3	3	25	A000022020020	Reverse Gear	1	1
12	A000022010142	Pressure Spring	3	3	26	A000022020017	Reverse Gear Wheel Pin	1	1
13	A000022015165	Shifting Sleeve 1st & 2nd	1	1	27	A000093605008	Dowel Pin 5 x 8	1	1
14	A000022010062	Synchroniser Ring (Threaded)	1	1					
15	A000022010272	Snap Ring	1	1					
16	B008139810010	Needle Cage	1	1					
17	B008132630111	Gear Wheel - 1st	1	1					
18	B008132630052	Shim - 1.9 mm.	As Reqd	As Reqd.					
-	B008132631052	Shim - 2.8 mm.	As Reqd	As Reqd.					
-	B008132631152	Shim - 2.9 mm.	As Reqd	As Reqd.					
-	B008132631252	Shim - 3.0 mm.	As Reqd	As Reqd.					
-	A000022015322	Shim 90 x 80 x 1.0 mm.	As Reqd	As Reqd.					
-	A000022015332	Shim 90 x 80 x 0.8 mm.	As Reqd	As Reqd.					
-	A000022015342	Shim 90 x 80 x 0.6 mm.	As Reqd	As Reqd.					
-	A000022015352	Shim 90 x 80 x 0.1 mm.	As Reqd	As Reqd.					
-	A000022015362	Shim 90 x 80 x 0.3 mm.	As Reqd	As Reqd.					
-	A000022015372	Shim 90 x 80 x 0.5 mm.	As Reqd	As Reqd.					
19	B008132630023	Sleeve	1	1					
20	B008139810225	Oblique Ball Bearing	1	1					

# DIFFERENTIAL HOUSING AND GEARS



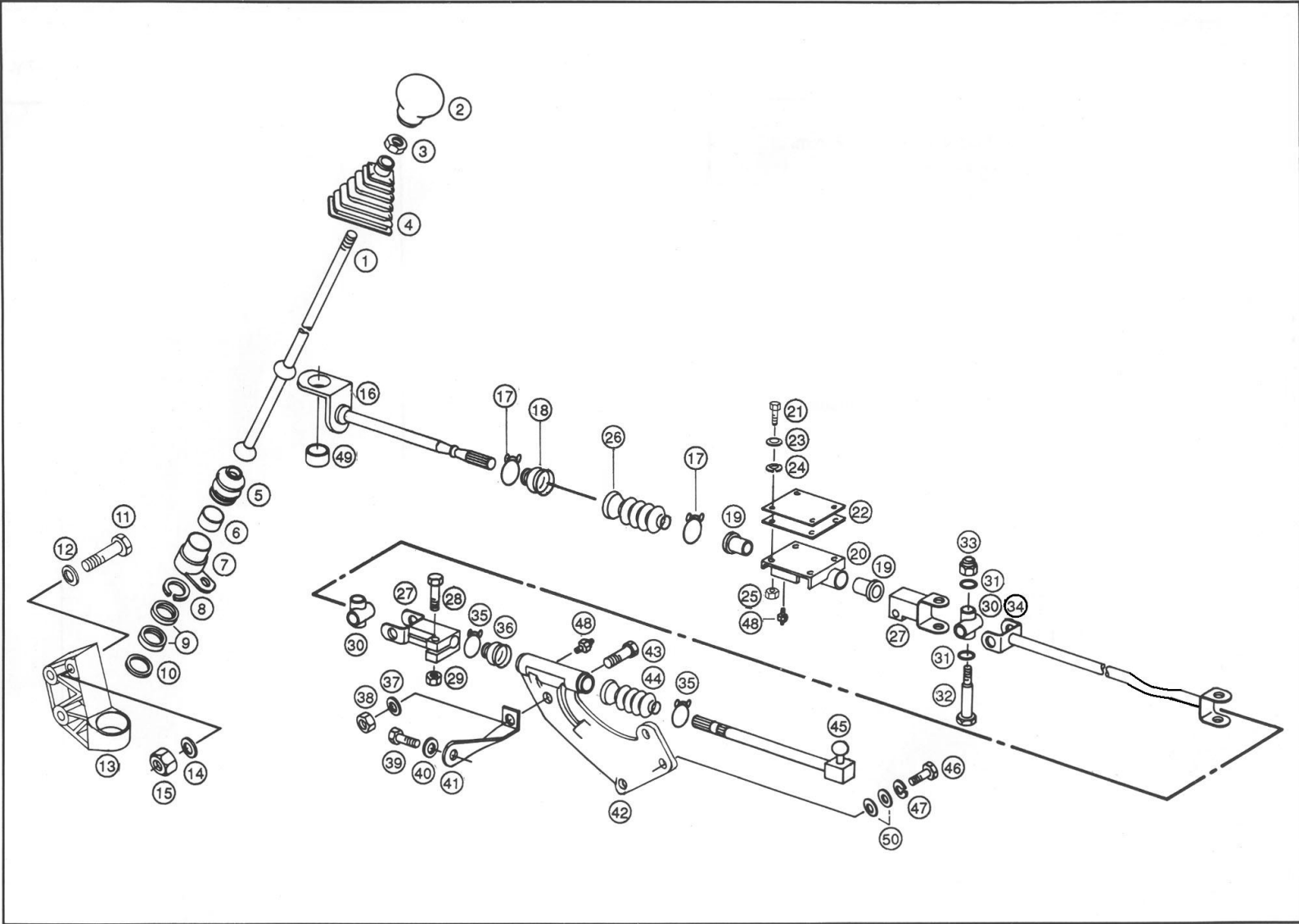
Differential Housing And Gears					Dia No. 21				
Fig No	Code No.	Material Description	CB	Metal TOP	Fig No	Code No.	Material Description	CB	Metal TOP
1	No Code	Differential Hsg. with Crown Wheel	NSSP	NSSP					
2	B008132640152	Shim 0.2 mm.	As Reqd	As Reqd.					
-	B008132640252	Shim 0.3 mm.	As Reqd	As Reqd.					
-	B008132640352	Shim 0.4 mm.	As Reqd	As Reqd.					
3	B008589810025	Ball Bearing	3	3					
4	B008132632852	Thrust Washer 1.24 mm. Thick	As Reqd	As Reqd.					
-	B008132632952	Thrust Washer 1.30 mm. Thick	As Reqd	As Reqd.					
-	B008132633052	Thrust Washer 1.35 mm. Thick	As Reqd	As Reqd.					
-	B008132633152	Thrust Washer 1.40 mm. Thick	As Reqd	As Reqd.					
-	B008132633252	Thrust Washer 1.45 mm. Thick	As Reqd	As Reqd.					
-	B008132633352	Thrust Washer 1.50 mm. Thick	As Reqd	As Reqd.					
-	B008132633452	Thrust Washer 1.55 mm. Thick	As Reqd	As Reqd.					
-	B008132633552	Thrust Washer 1.60 mm. Thick	As Reqd	As Reqd.					
-	B008132633652	Thrust Washer 1.65 mm. Thick	As Reqd	As Reqd.					
-	B008132633752	Thrust Washer 1.70 mm. Thick	As Reqd	As Reqd.					
5	C001481006008	Clamping Sleeve 6 x 45	1	1					
6	B008132630121	Differential Pin	1	1					
7	B001153530324	Spherical Washer	2	2					
8	B001073530014	Differential Gear	2	2					
9	B008132630015	Axle Bevel Gear	2	2					

**GEAR SHIFTER MECHANISM**



**Gear Shifter Mechanism****Dia No. 22**

<b>Fig No</b>	<b>Code No.</b>	<b>Material Description</b>	<b>CB</b>	<b>Metal TOP</b>	<b>Fig No</b>	<b>Code No.</b>	<b>Material Description</b>	<b>CB</b>	<b>Metal TOP</b>
1	B008132650001	Shifting Fork 3rd & 4th	1	1					
2	A000022030052	Grub Screw M10 x 1 x 12 mm.	4	4					
3	B008132650201	Shifting Fork 1st & 2nd	1	1					
4	B008132600038	Shifting Rail 1st & 2nd	1	1					
5	B008132650105	Shifting Rail 3rd & 4th	1	1					
6	A000022030092	Sliding Block	1	1					
7	A000022030432	Pressure Spring	2	2					
8	A000022030142	Oil Seal	2	2					
9	A000022030170	Assly. Shifter Lever for Reverse Gear	1	1					
10	A000022030227	Stopper Pin for Reverse Gear	1	1					
11	A000022030232	Sliding Pin	1	1					
12	A000022030212	Pressure Spring	1	1					
13	B008132600031	Shifting Shaft	1	1					
14	A000022030132	Bush for Shifting Shaft	2	2					

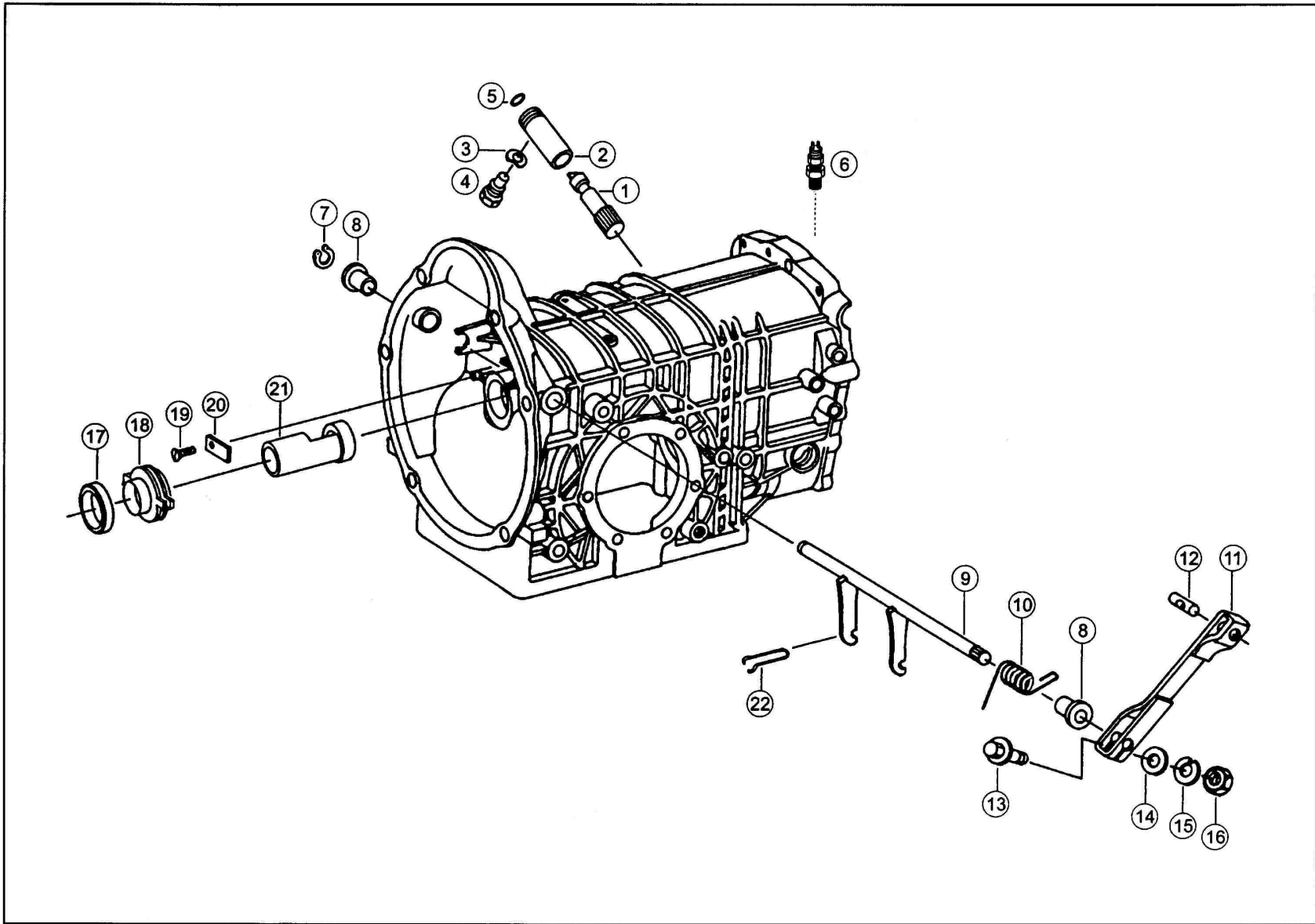


**Gear Change Mechanism**

**Dia No. 23**

Fig No	Code No.	Material Description	CB	Metal TOP	Fig No	Code No.	Material Description	CB	Metal TOP
1	A000022030550	Gear Shifter Rod Assly.	1	1	24	A000092708000	Spring Washer B8	4	4
2	B008132680042	Knob for Shifter Rod	1	1	25	A000092108130	Hex. Nut M8 x 1.25	4	4
3	A000092110152	Hex. Nut M10 x 1.5	1	1	26	B008132670497	Rubber Boot	1	1
4	A000022030662	Rubber Bellow	1	1	27	B008132600081	Clamp Assly. for Cross	2	2
5	A000022030302	Rubber Bellow	1	1	28	A000090108041	Hex. Head Bolt M8 x 40	2	2
6	A000022030162	Plastic Bush	2	2	29	A000094608125	Nyloc Nut M8	2	2
7	B008132670730	Shifting Socket	NSSP	NSSP	30	B008132670031	Nylon Cross	2	2
8	A000094532150	Circlip 32 x 1.5	1	1	31	B008139970040	'O' Ring for Cross	8	8
9	A000022030312	Bush	2	2	32	B008139900171	Bolt for Nylon Cross	4	4
10	A000020130286	Distance Washer 20.5 x 30 x 1	2	2	-	A000092506000	Plain Washer M6	4	4
11	A000090008051	Hex. Head Bolt M8 x 50	3	3	33	A000099130021	Nyloc Nut for Cross	4	4
12	A000092708000	Spring Washer B8	3	3	34	B008132602639	Tube Assly.	-	1
-	A000021030052	Sintered Bush for Clutch Release Shaft	2	2	-	B008132603939	Tube Assly. -For SLC	1	-
13	A000022030525	Gear Shift Bracket	1	1	35	B008139950111	Bellow Clip	2	2
14	A000092508000	Plain Washer M8	3	3	36	B008132670197	Rubber Boot	1	1
15	A000092108130	Hex. Nut M8	3	3	37	A000092708000	Spring Washer	1	1
16	B008132601439	Front Shaft Assly.	1	1	38	A000092106102	Hex. Nut	1	1
17	B008139950011	Bellow Clip	2	2	39	A000090306021	Hex. Head Screw M6 x 20	1	1
18	B008132670197	Rubber Boot	1	1	40	A000092506000	Plain Washer	1	1
19	A000021030052	Bush	2	2	41	B008132670241	Support Strip for Rear Guide Abutment Bkt	1	1
20	B008132601103	Guide Tube - Front	1	1	42	B008132670603	Rear Guide Abutment Bkt.	1	1
21	A000090308026	Hex. Head Screw M8 x 25	4	4	43	A000090108041	Hex. Head Bolt M8 x 40	1	1
22	B008132670010	Plate	1	1	44	B008132670497	Rubber Boot	1	1
-	B008132670110	Plate	1	1	45	B008132600905	Rear Shaft	1	1
-	B008132670210	Plate	1	1	46	A000090008036	Hex. Head Bolt M8 x 35	2	2
-	B008132670310	Plate	1	1	47	A000092708000	Spring Washer B8	2	2
-	B008132670410	Plate	1	1	48	A000023020812	Grease Nipple	2	2
23	A000092508000	Plain Washer M8	4	4	49	A000022030132	Bush For Shifting Shaft	1	1
					50	A000092508000	Plain Washer	2	2

# SPEEDO DRIVE AND CLUTCH RELEASE MECHANISM



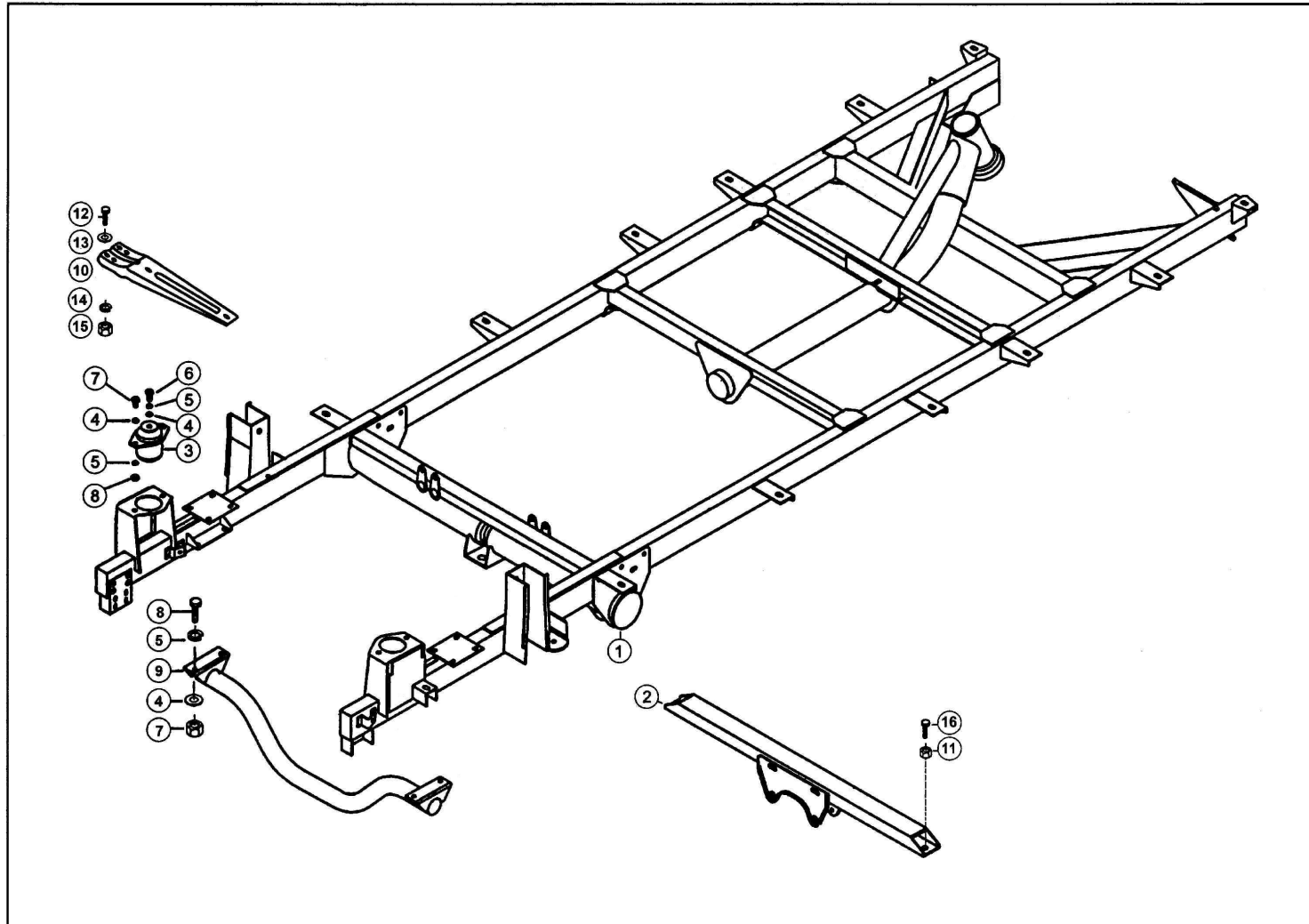


## Speedo Drive And Clutch Release Mechanism

Dia No. 24

Fig No	Code No.	Material Description	CB	Metal TOP	Fig No	Code No.	Material Description	CB	Metal TOP
1	A000052040125	Speedo-Drive Sprocket	1	1	20	A000021030662	Clamping Piece 3.0 mm. Thick	1	1
3	A000092810000	Wave Washer 10 $\emptyset$	1	1	21	B008132610043	Sleeve for Clutch Release Brg.	1	1
4	A000022040042	Screw M10 x 20	1	1	22	B008522950017	Lock	2	2
5	A000022040032	Oil Seal 10 $\emptyset$ x 15.5 $\emptyset$ x 3/1	1	1					
6	B008525450111	Reverse Light Switch	1	1					
7	No Code	Lock Circlip	1	1					
8	A000021030052	Sintered bush for clutch released shaft	1	1					
9	B008032500014	Clutch Release Shaft	1	1					
10	B008039930201	Spring for De-clutch Lever	1	1					
11	B008032520038	De-Clutch Lever	1	1					
12	B008522950074	Pin	1	1					
-	B008522950048	Hex. Nut	1	1					
13	C914126008001	Screw M8 x 40	1	1					
14	A000092508000	Plain Washer M8	1	1					
15	A000092708000	Spring Washer B8	1	1					
16	A000092108130	Hex. Nut M8 x 1.25	1	1					
17	B008032500215	Clutch Release Bearing	1	1					
18	B008032520126	Retainer for Bearing	1	1					
19	A000091006012	Lense Head Screw M6 x 12	1	1					

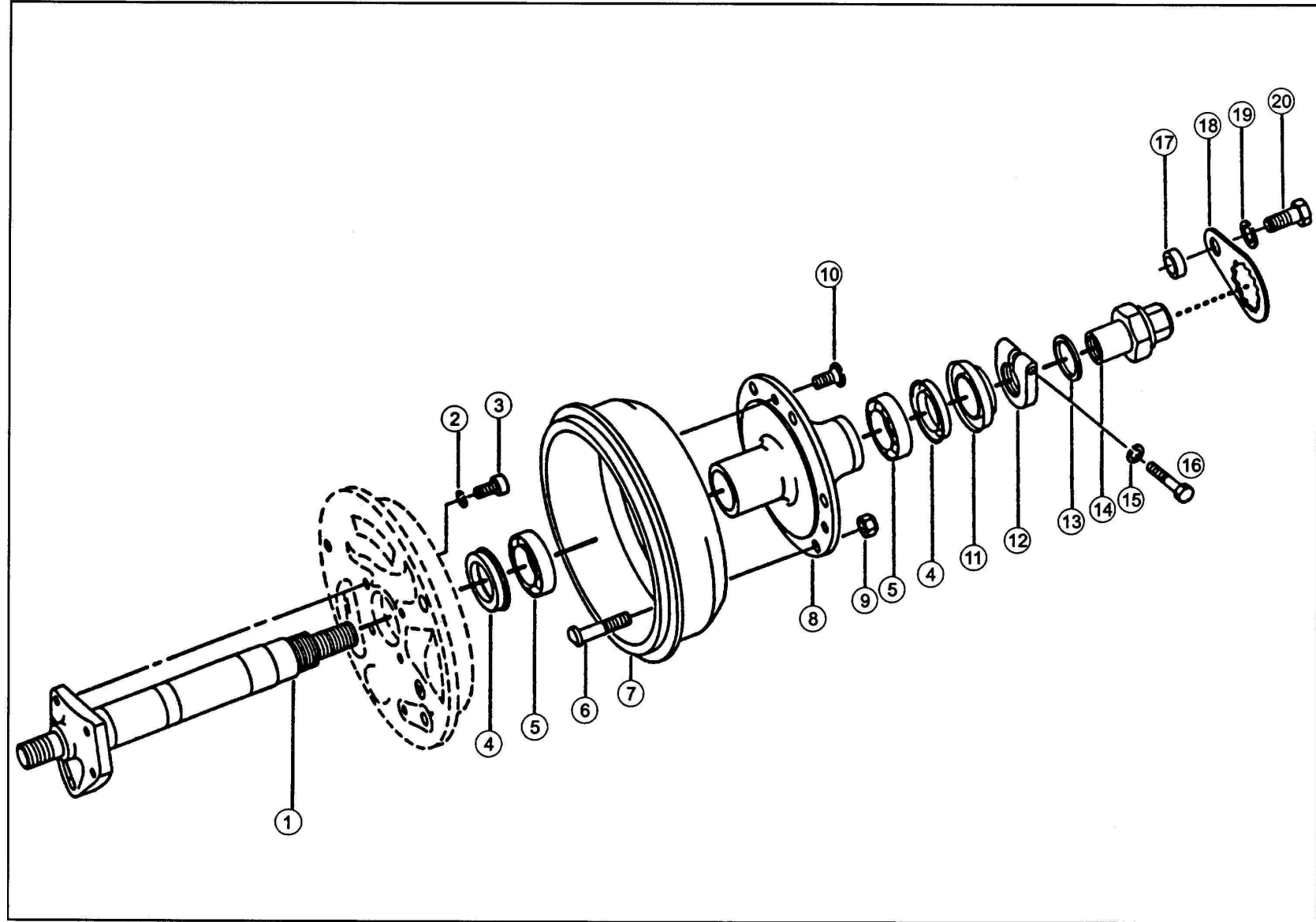
# CHASSIS FRAME & MOUNTINGS



**Chassis Frame & Mountings****Dia No. 25**

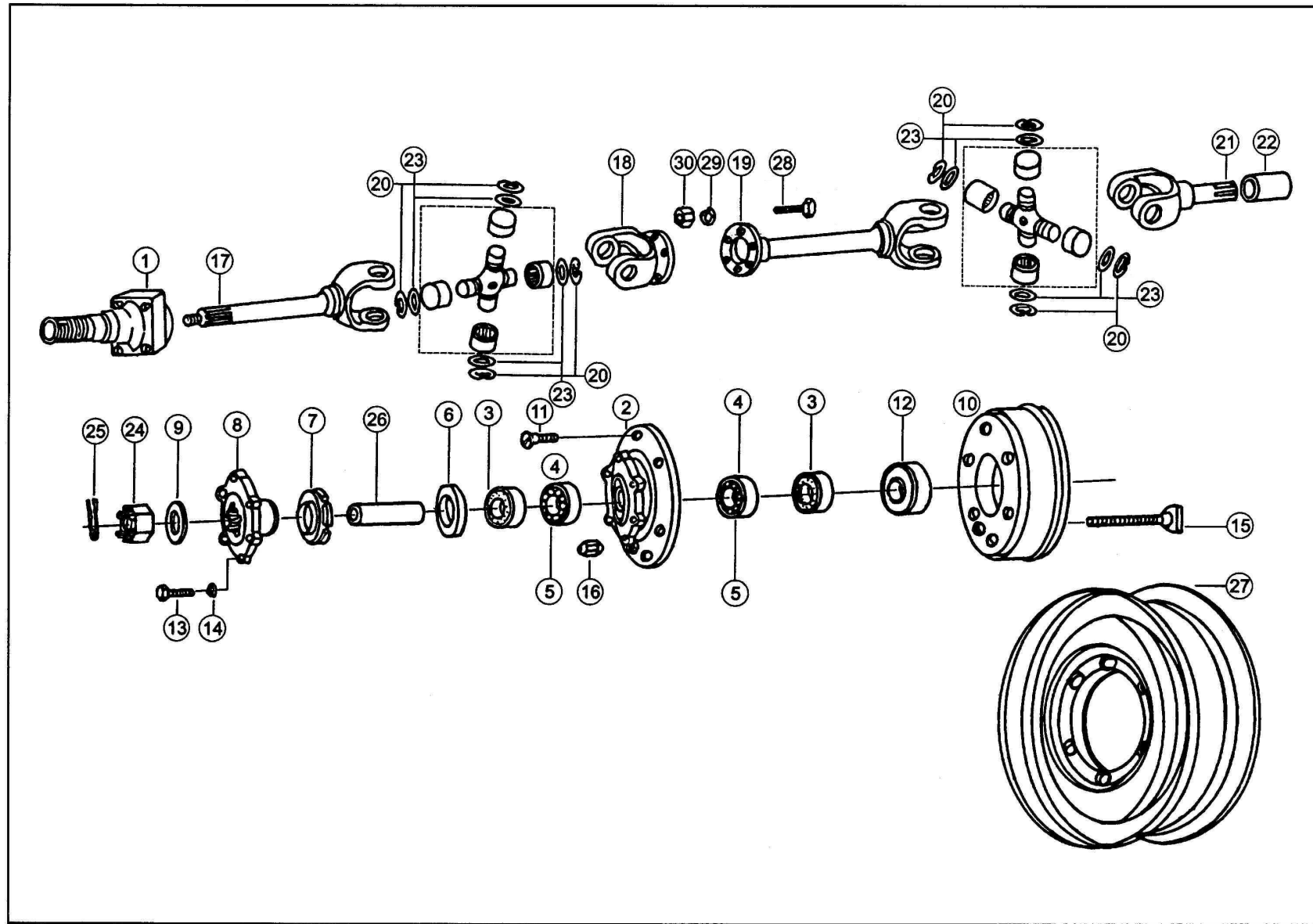
Fig No	Code No.	Material Description	CB	Metal TOP	Fig No	Code No.	Material Description	CB	Metal TOP
1	B008523101031	Chassis Frame Assembly - P/U ( SLC) - Force Make	1	-					
-	B008523107501	Chassis Frame Assembly - P/U ( SLC) - B/o	1	-					
-	B008523100931	Chassis Frame Assembly -(Metal Top PU) - Force Make	-	1					
-	B008523106401	Chassis Frame Assembly - (Metal Top PU) - B/o	-	1					
2	B008522400002	Cross Member Assly. - Engine Mounting	1	1					
3	B008522400817	Engine Mounting	1	1					
4	A000092510000	Plain Washer M10	12	12					
5	A000092710000	Spring Washer B10	12	12					
6	A000090310028	Hex. Head Bolt M10 x 25	6	6					
7	A000090310020	Hex. Head Bolt M10 x 20	12	12					
8	A000092110152	Nut M10 x 1.5	16	16					
9	B008523100305	Engine Guard	1	1					
10	B008525041441	Channel Radiator support ( Bottom ) - PU	1	1					
11	C913004070008	Cleveloc Nut M10	2	2					
12	A000090308020	Hex. Head Bolt M8 x 20	8	8					
13	A000092508000	Plain Washer	8	8					
14	A000092708000	Spring Washer B8	8	8					
15	A000092308130	Nut	8	8					
16	A000090010091	Hex. Head Bolt M10 x 90	2	2					

# FRONT AXLE



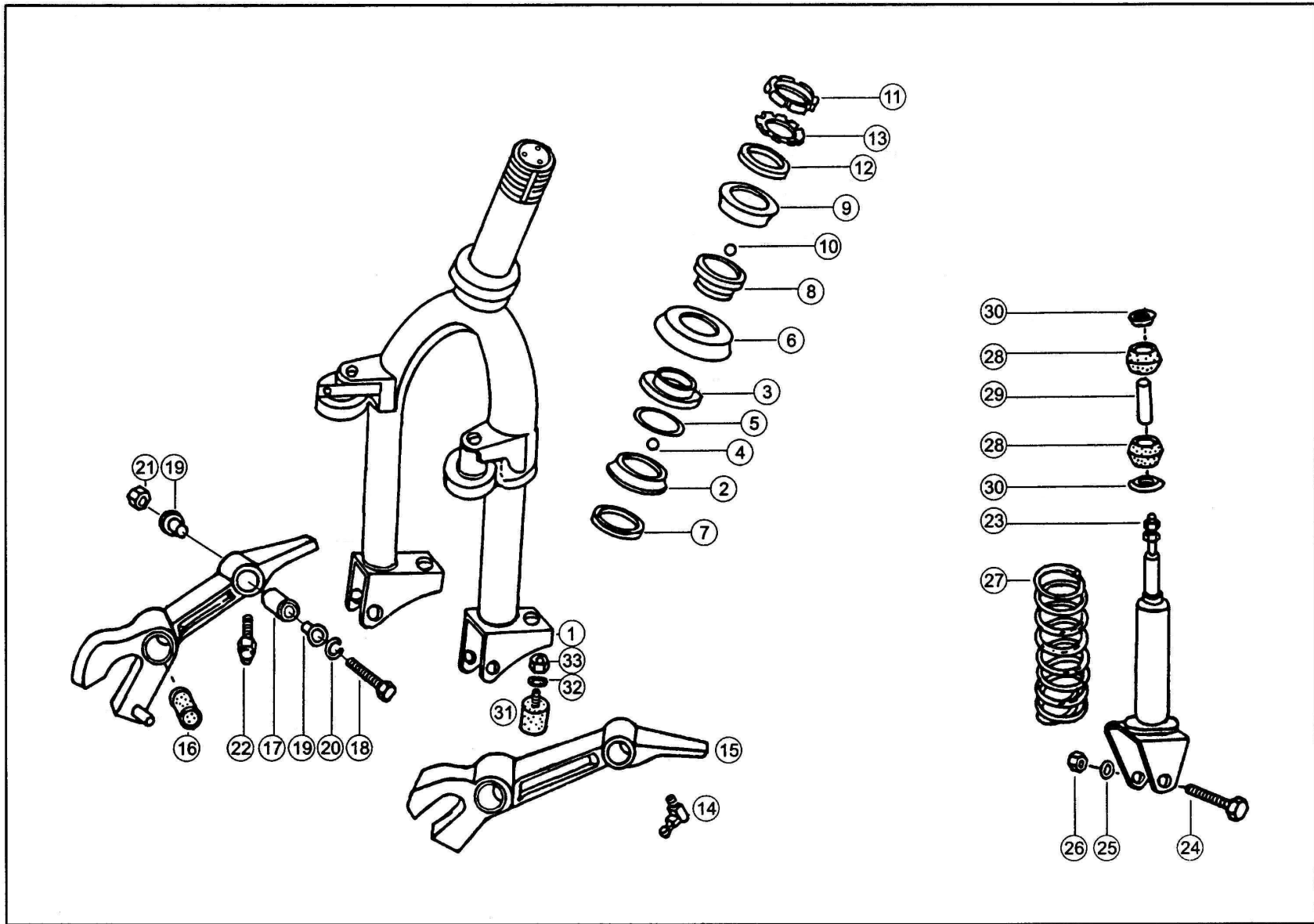
Front Axle					Dia No. 26				
Fig No	Code No.	Material Description	CB	Metal TOP	Fig No	Code No.	Material Description	CB	Metal TOP
1	B008183310201	Stub Axle (Modified)		1					
2	A000092710000	Spring Washer		4					
3	A000091510015	Allen Screw		4					
4	A000000901072	Oil Seal		2					
5	C000625006206	Ball Bearing 30 x 62 x 16		2					
-	B008183340027	Sleeve		1					
6	B008183340170	Wheel Bolt		5					
7	B008184210201	Brake Drum		1					
8	B008183340201	Front Wheel Hub		1					
9	B008183340272	Wheel Nut		4					
10	A000091108015	Counter Sunk Screw		2					
11	B008183310050	Bush ( front axle bush )		1					
12	B008183340011	Bearing Bolt Clamp		1					
13	B008183340052	Spacer		2					
14	B008183340372	Cap Nut		2					
15	A000092706000	Spring Washer		2					
16	A000091506030	Socket Head Cap Screw M6 x 30		1					
17	B008523220152	Spacer		2					
18	B008189940060	Lock Washer ( front axle )		2					
19	A000092706000	Spring Washer		2					
20	A000090306014	Hex. Head Screw M6 x 15		2					

# REAR AXLE



Rear Axle					Dia No. 27				
Fig No	Code No.	Material Description	CB	Metal TOP	Fig No	Code No.	Material Description	CB	Metal TOP
1	B008373530201	Stub Axle (KBX)	2	2	-	B008373501210	Drive Shaft Assly - GB End (Consist of 19, 19A & 21)	2	2
2	B008373560401	Rear Wheel Hub	2	2	22	B008132610243	Dust cover for Drive shaft	2	2
3	A000023020542	Oil Seal	4	4	23	A000023528192	Shim	16	16
-	A000023020412	Bearing Kit (Consists of 4 & 5)	2	2	24	A000092420150	Castle Nut M20 x 1.5	2	2
4	No Code	T. R. Cone	NSSP	NSSP	25	A000094204040	Split Pin 4 x 40	2	2
5	No Code	T. R. Cup	NSSP	NSSP	26	B008373570152	Distance Sleeve	2	2
6	A000023020512	Thrust Washer	2	2	27	B008524000302	Wheel Rim	3	3
7	A000023021552	Slotted Nut	2	2	28	A000053028122	Special Screw M10 x 27	12	12
8	B008373510015	Drive Flange	2	2	29	A000092710000	Spring Washer	12	12
9	B008373571352	Washer ( Rear Axle )	2	2	30	C070615010006	Hex. Nut M10 x 1	12	12
10	B008184210201	Brake Drum	2	2					
11	A000091108015	CSK Screw M8 x 15	4	4					
12	B008379810001	Ball Bearing ( 6005 R S1)	2	2					
13	A000090308026	Hex. Head Screw M8 x 25	12	12					
14	A000092708000	Spring Washer B8	12	12					
15	B008183340170	Wheel Bolt	10	10					
16	B008183340272	Wheel Nut	15	15					
17	B008373570001	Yoke shaft ( Wh End )	2	2					
-	B008373501110	Drive Shaft Assly - wh end (Consist of 17, 18 & 19 A)	2	2					
-	B008373501010	Rear wheel drive Shaft Complite	2	2					
18	B008544110311	Flange Yoke (Wh End) - Modified	2	2					
19	B008373501205	Yoke Shaft	2	2					
19A	A000023020932	U. J. Kit Assly.	2	2					
20	A000023021252	Circlip	16	16					
21	B008373570801	Shaft (G. B. Side)	2	2					

# FRONT SUSPENSION



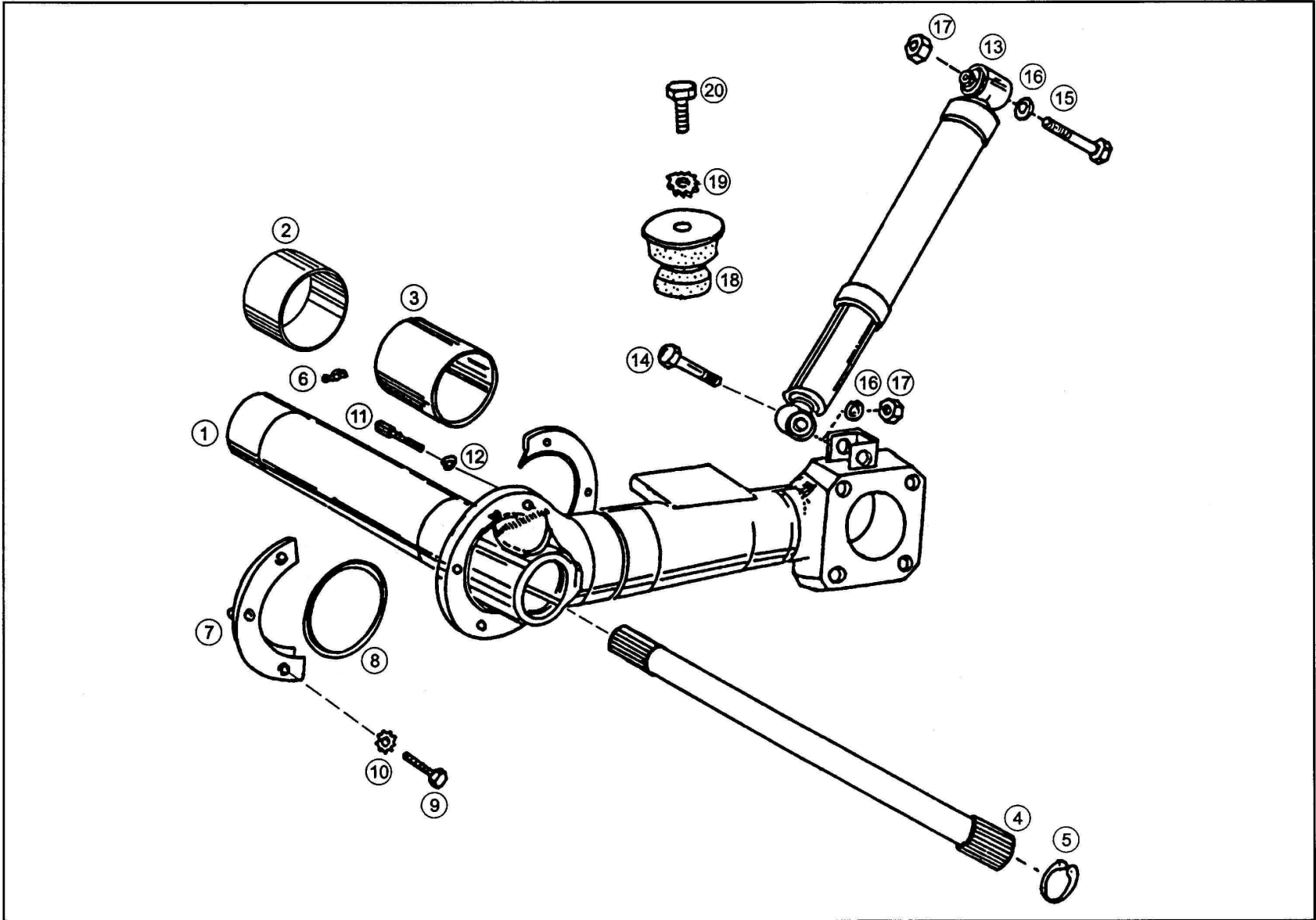


**Front Suspension**

**Dia No. 28**

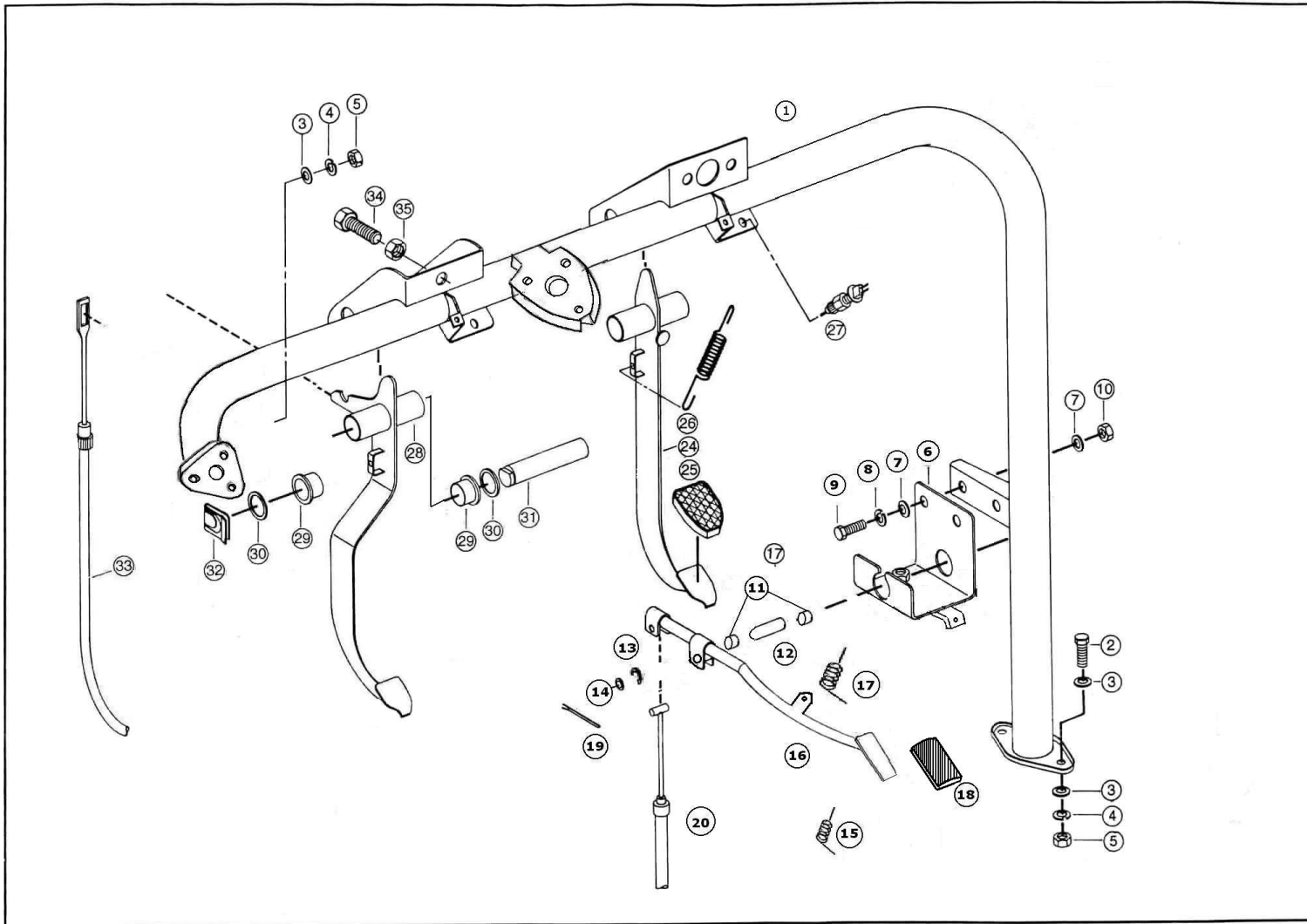
Fig No	Code No.	Material Description	CB	Metal TOP	Fig No	Code No.	Material Description	CB	Metal TOP
1	B008523200863	Front Fork Assy. (Rack & pinion Steering)	1	1	25	A000092712000	Spring Washer	2	2
2	B008523220320	Bearing Lower Race (Lower Bearing)	1	1	26	A000092112152	Hex. Nut M12 x 1.5	2	2
3	B008523220520	Bearing Upper Race (Lower Bearing)	1	1	-	B008523220101	Front Suspension Spring	-	2
4	B000019813385	Stud Ball ø 9.2 mm.	27	27	27	B008523220701	Front Suspension Spring	2	-
5	B008523220049	Seal	1	1	28	B008523210392	Rubber ( front suspension )	4	4
6	B008523220235	Cup	1	1	29	B008523220253	Sleeve ( front suspension )	2	2
7	B008523220335	Cup	1	1	30	B008523220176	Retaining Washer	4	4
8	B008523220420	Bearing Lower Race (Upper Bearing)	1	1	31	B008523220144	Rubber Buffer	2	2
9	B008523220620	Bearing Upper Race (Upper Bearing)	1	1	32	A000092908500	External Star Washer	2	2
10	A000022001052	Steel Ball ø 6.35 mm.	33	33	33	A000092108130	Hex. Nut	6	6
11	A000023021552	Slotted Locking Ring	3	3					
12	B008523220352	Spacer	1	1					
13	No Code	Lock Washer	1	1					
14	B008523220535	Top Cover (Rack & Pinion Steering)	1	1					
15	B008523200001	Leading Link LH	1	1					
-	B008523200101	Leading Link RH	1	1					
16	B008523210050	Silent Block	2	2					
17	B008523210150	Bearing Bush	2	2					
18	B008523210072	Special Bolt M12 x 70	2	2					
19	B008523220150	Inner Bush Collar Type	4	4					
20	B008523220148	'O' Ring for Leading Link	4	4					
-	B008525860929	Bearing Bush Kit (Consists of 19 & 20)	2	2					
21	A000094612175	Self Locking Nut	2	2					
22	A000023020812	Grease Nipple	2	2					
23	B008523200530	Front Shock Absorber	2	-					
-	B008523200330	Front Shock Absorber	-	2					
24	A000090012065	Hex. Bolt M12 x 65	2	2					

**REAR SUSPENSION**



Rear Suspension					Dia No. 29				
Fig No	Code No.	Material Description	CB	Metal TOP	Fig No	Code No.	Material Description	CB	Metal TOP
1	B008523201010	Trailing Arm Assly. LH (KBX)	1	1					
-	B008523201110	Trailing Arm Assly. RH (KBX)	1	1					
2	B008523260550	Brg.Bush.Inner	2	2					
3	B008523260650	Brg.Bush Outer	2	2					
4	B008523260065	Torsion Bar LH	1	1					
-	B008523260165	Torsion Bar RH	1	1					
5	A000094542200	Internal Circlip	2	2					
6	A000023020812	Grease Nipple	4	4					
7	B008523260042	Guard Ring	2	2					
8	A000092508000	Plain Washer	2	2					
8	B008523260142	Seal	2	2					
9	A000090310028	Hex Head Bolt M10 x 25	12	12					
10	A000092710000	Spring Washer	10	10					
11	A000091508020	Hex Socket Head Screw M8 x 20	2	2					
12	A000092708000	Spring Washer	2	2					
13	B008523200031	Shock Absorber (Rear)	2	2					
14	A000090112061	Hex Head Bolt M12 x 60	2	2					
15	A000090112080	Hex Head Bolt M12 x 80	2	2					
16	A000092712000	Spring Washer	4	4					
17	A000092112177	Hex Nut M12 x 1.75	4	4					
18	B008523200144	Rubber spring for swing arm	2	2					
19	A000092908500	External star washer	2	2					
20	A000090308023	Hex head screw M10 x 20	2	2					

# HANGING PEDALS

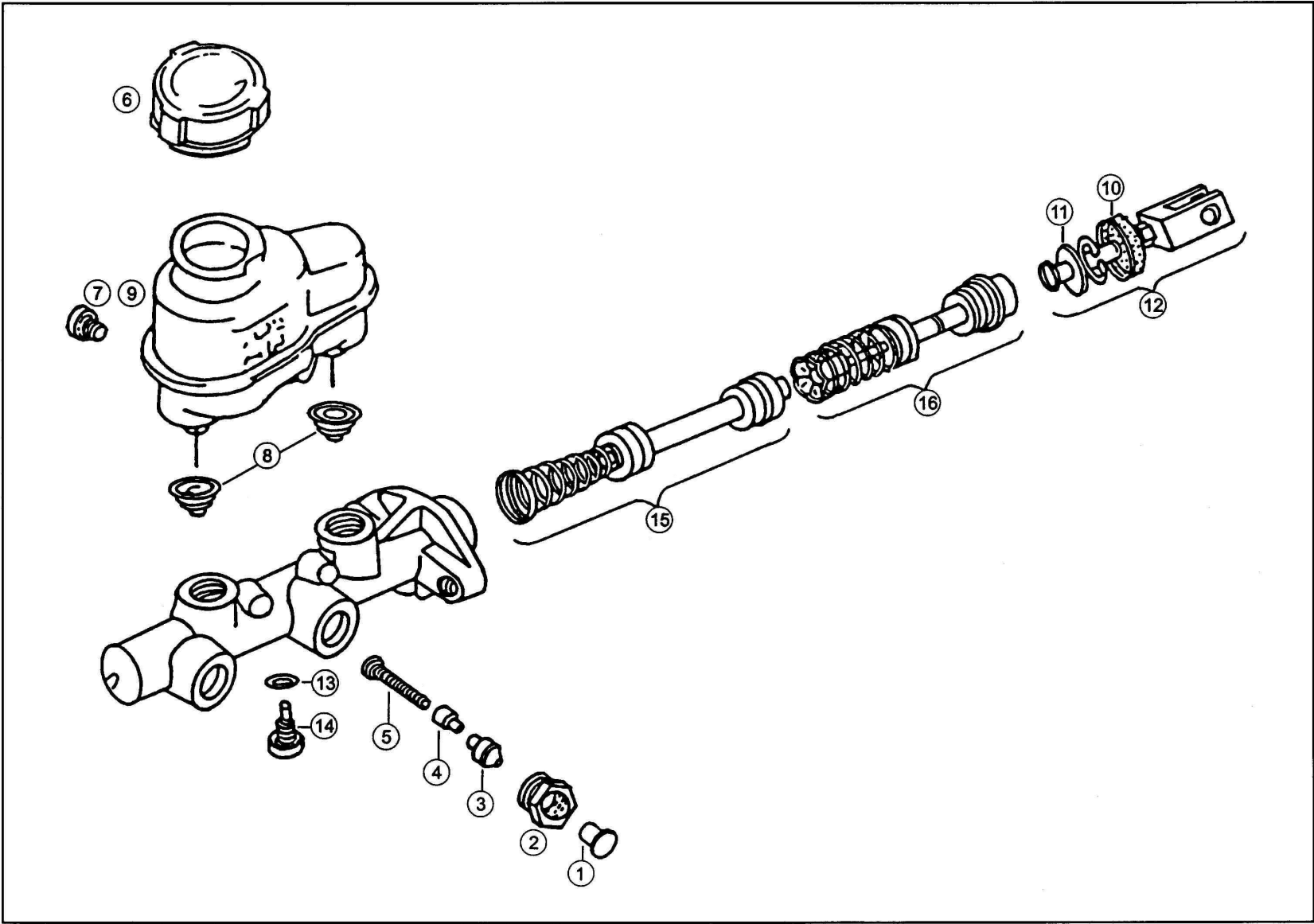


### Hanging Pedals

Dia No. 30

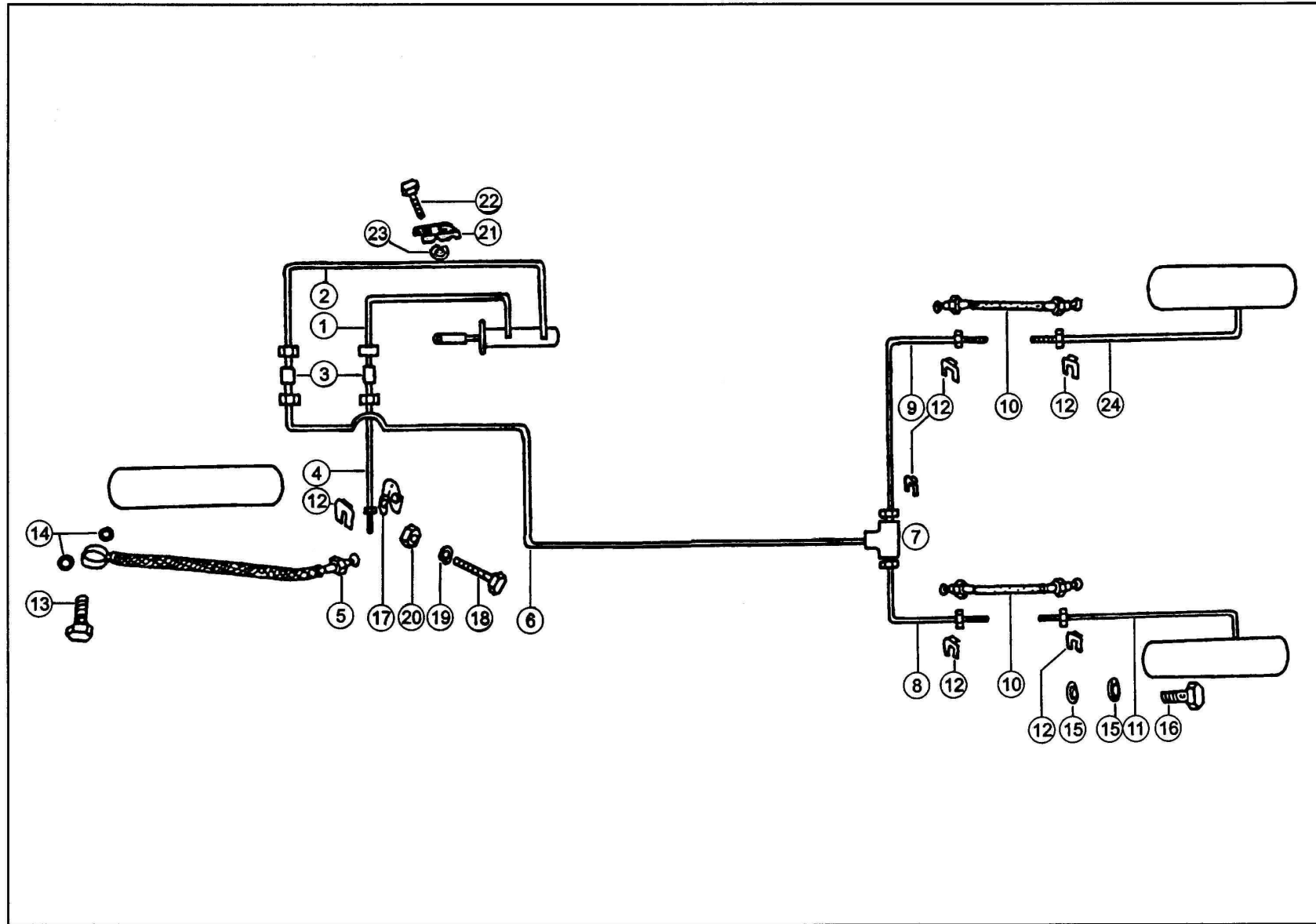
Fig No	Code No.	Material Description	CB	Metal TOP	Fig No	Code No.	Material Description	CB	Metal TOP
1	B008522901019	Pipe Assembly	1	-	29	B001102910550	Bushing For Pedal	4	4
-	B008522901319	Pipe Assembly -MT P/U	-	1	30	No Code	Spacer	NSSP	NSSP
2	A000090308026	Hex. Head Screw M8 x 20	7	7	32	B000009941151	Spring Clip	2	2
4	A000092708000	Spring Washer M8	5	5	33	B008522900610	Clutch Cable - P/U ( SLC)	1	-
5	A000092108130	Hex. Nut M8 x 1.25	5	5	-	B008522900110	Clutch Cable - P/U	-	1
6	B008523000240	Accelerator Bracket Assly.	1	1	-	B008522940274	Pin (Brake Pedal)	1	1
7	A000092506000	Plain Washer M6	4	4	34	A000090308031	Special Hex. Head Bolt M8 x 30	1	1
8	A000092706000	Spring washer	2	2	35	A000092108130	Hex Nut M8 x 1.25	1	1
9	A000090306021	Hex. Head Screw M6 x 12	4	4					
10	A000092106102	Hex. Nut M6 x 1	4	4					
11	B008523020050	Nylon Bush	2	2					
12	B008523010074	Pin for Accelerator Cable	1	1					
13	A000094418120	Circlip	2	2					
14	B008523010352	Washer	2	2					
15	A000023039012	Extension -Spring	1	1					
16	B008543000004	Accelerator Pedal Plate Assy.	1	1					
-	B008523000704	Accelerator Pedal Sub Assly.	1	1					
17	B008549930010	Spring	1	1					
18	B008542920082	Accelerator Pedal Cover	1	1					
19	A000094202012	Split Pin	1	1					
20	B008523002185	Accelerator Cable PU ( SLC)	1	-					
-	B008523001085	Accelerator Cable PU	-	1					
24	B008522900601	Brake Pedal Assly.	1	1					
25	B003192920082	Foot Pedal Cover	3	3					
26	A000023039012	Extension Spring	2	2					
27	A000053035752	Mechanical Brake Light Switch - Modified	1	1					
28	B008522900501	Clutch Pedal Assly.	1	1					

**TANDEM MASTER CYLINDER (KBX)**



Tandem Master Cylinder ( KBX )					Dia No. 31				
Fig No	Code No.	Material Description	CB	Metal TOP	Fig No	Code No.	Material Description	CB	Metal TOP
1	B008524310087	Threaded Protector		NSSP					
-	B008524300101	Tandem Master Cylinder without Reservoir & Cap		1					
-	B008524300102	Reservoir With Float Unit		1					
2	A000023145342	Cap		2					
3	A000023145482	Tube Seat		NSSP					
4	A000023145332	Residual Valve		2					
5	B008524310093	Residual Valve Spring		2					
6	B008524310053	Reservoir Cap Complete		1					
7	B008524310056	Reservoir Bolt		2					
8	B008524310049	Reservoir Seal		2					
9	B008524300102	Oil Reservoir		1					
10	A000023145252	Boot		1					
11	B008524310142	Piston Stopper		1					
12	B008524310029	Push Rod Complete		1					
13	B008524310080	Gasket		1					
14	B008524310042	Secondary Piston Stopper		1					
15	B008524300083	Secondary Piston Complete		1					
16	B008524300008	Primary Piston Comp.		1					
-	B008525860029	Major Kit		1					

# BRAKE BUNDY TUBE LAYOUT (KBX)





**Brake Bundy Tube Layout**

**Dia No. 32**

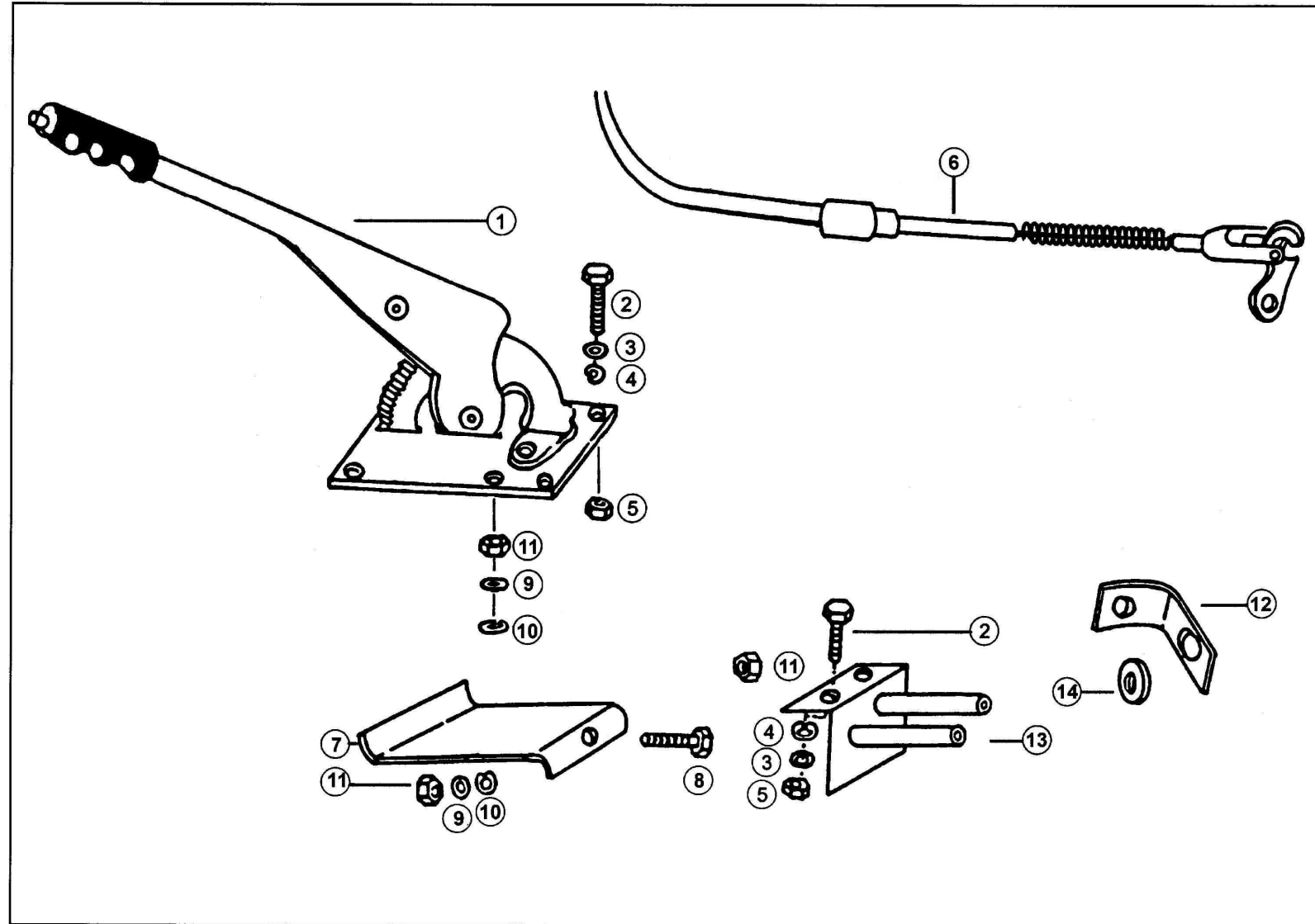
Fig No	Code No.	Material Description	CB	Metal TOP	Fig No	Code No.	Material Description	CB	Metal TOP
1	B008524201129	Bundy Tube Assly.	1	1					
2	B008524201229	Bundy Tube Assly.	1	1					
3	A000023048022	Two Way Connector	2	2					
4	A000023545172	Bundy Tube 200 mm	1	1					
5	B008524280135	Brake Hose Made From Imported Tube	1	1					
-	B008524280035	Front Brake Hose	1	1					
6	A000053048182	Bundy Tube Assly. - 1700 mm. - PU	1	-					
-	B008524200629	Bundy Tube Assly. - 1900 mm. -SLC	1	-					
-	A000023048172	Bundy Tube Assly. - 2400 mm. - PU	-	1					
7	A000023048032	3-Way Connector M10 x 1	1	1					
-	B008524280024	3-Way Connector M10 x 1	1	1					
8	A000023145892	Bundy Tube - 3 way to LH Wheel (PU)	1	1					
9	A000023145902	Bundy Tube - 3 way to RH Wheel ( PU)	1	1					
10	B008704280135	Brake Hose	2	2					
11	B008524201529	Bundy Tube LH	1	1					
12	A000023047012	Hose Clamp	5	5					
13	A000005405332	Banjo Bolt	3	3					
14	A000023045162	Copper Washer	3	3					
15	A000023045172	Copper Washer	3	3					
16	B008529910215	Banjo Bolt	1	1					
17	C916016012200	H Clamp	1	1					
18	A000090306015	Hex. Head Screw M6 x 15	1	1					
19	A000092506000	Plain Washer M6	1	1					
20	A000092106102	Hex. Nut M6 x 1	1	1					
21	A000023062312	Clamp	2	2					
22	A000090006026	Hex. Head Bolt M6 x 25	1	1					
23	A000092706000	Spring Washer	1	1					
24	B008524201629	Bundy Tube RH	1	1					



**Brake Assembly - Front & Rear ( KBX )**
**Dia No. 33**

Fig No	Code No.	Material Description	CB	Metal TOP	Fig No	Code No.	Material Description	CB	Metal TOP
1	B008374200317	Rear Brake Assly. RH		1	20	B008529900201	Adjuster Screw RH		1
-	B008374200217	Rear Brake Assly. LH		1	-	B008529900301	Adjuster Screw LH		2
-	B008184200117	Front Brake Assly.		1	21	B008529900772	Adjuster Nut RH		1
2	B008524200117	Back Plate Complete RH		1	-	B008529900672	Adjuster Nut LH		2
-	B008524200017	Back Plate Complete LH		2	22	B008525861329	Major Kit W/c.		3
3	B008524200219	Wheel Cylinder Assly. RH		1	23	B008525861429	Minor Kit W/c.		3
-	B008524200119	Wheel Cylinder Assly. LH		2	24	B008525861529	Kit Lined Shoe (1 Leading, 1 Trailing)		3
-	B008184200018	Wheel Cylinder Assly. Front		NSSP	-	B008525861729	Repair Kit Adjuster RH		1
4	B008524200620	Shoe Assly. Leading		3	-	B008525861629	Repair Kit Adjuster LH		2
5	B008524200720	Shoe Assly. Trailing		3	-	B008525861329	Major Kit Wheel Cylinder (KBX-634)		3
6	B008524230337	Control Lever RH		1	-	B008525861429	Minor Kit Wheel Cylinder (KBX-635)		3
-	B008524230237	Control Lever LH		2	-	B008525861529	Kit Lined Shoe (KBX-636)		3
7	B008524230174	Pivot Pin		3	-	B008525861729	Repair Kit Adjuster RH (KBX-637)		1
8	B008524230052	Cup Washer		3	-	B008529900201	Adjuster Screw RH		1
9	B008524230152	Plain Washer		3	-	B008529900772	Adjuster Nut RH		1
10	B008524230274	Split Pin		3	-	B008524230590	Adjuster Bolt Spring RH		1
11	B008524230090	Spring Shoe Return - Upper		3	-	B008524230330	Pawl		1
12	B008524230190	Spring Shoe Return - Lower		3	-	B008525861629	Repair Kit Adjuster LH (KBX-638)		2
13	B008524230374	Pin Shoe Set		6	-	B008529900301	Adjuster Screw LH		1
14	B008524230290	Shoe Set Spring Leading		2	-	B008529900672	Adjuster Nut LH		1
-	B008524230390	Shoe Set Spring Trailing RH		1	-	B008524230690	Adjuster Bolt Spring LH		1
-	B008524230490	Spring Shoe Hold Down LH		2	-	B008524230330	Pawl		1
15	B008524200147	Strut Assly. RH		1					
-	B008524200047	Strut Assly. LH		2					
16	No Code	Strut Parking RH		NSSP					
-	No Code	Strut Parking LH		NSSP					
17	B008524230590	Adjuster Bolt Spring RH		1					
-	B008524230690	Adjuster Bolt Spring LH		2					
18	B008524230230	Rocker		3					
19	B008524230330	Pawl		3					

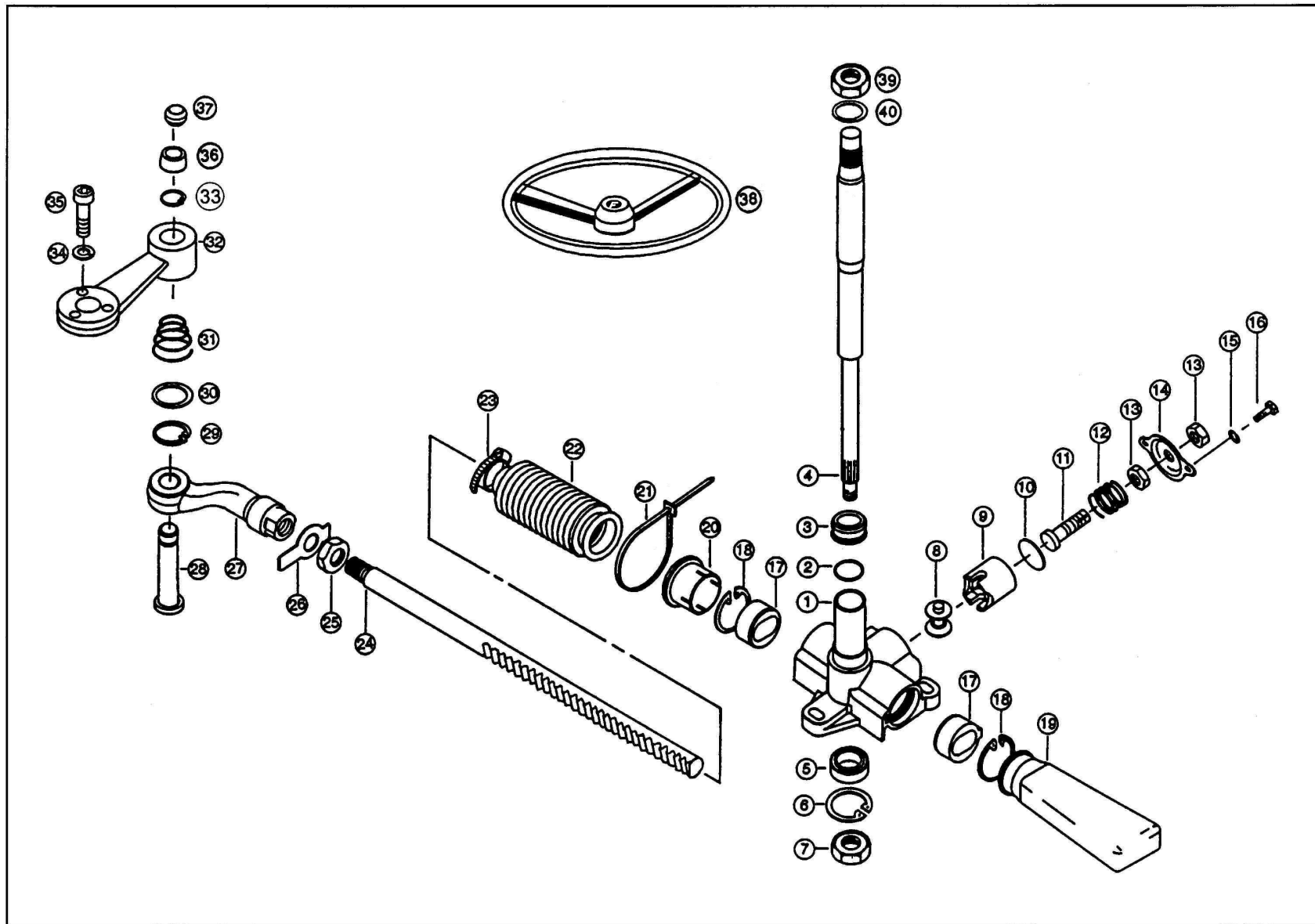
# HAND BRAKE SYSTEM



**Hand Brake System****Dia No. 34**

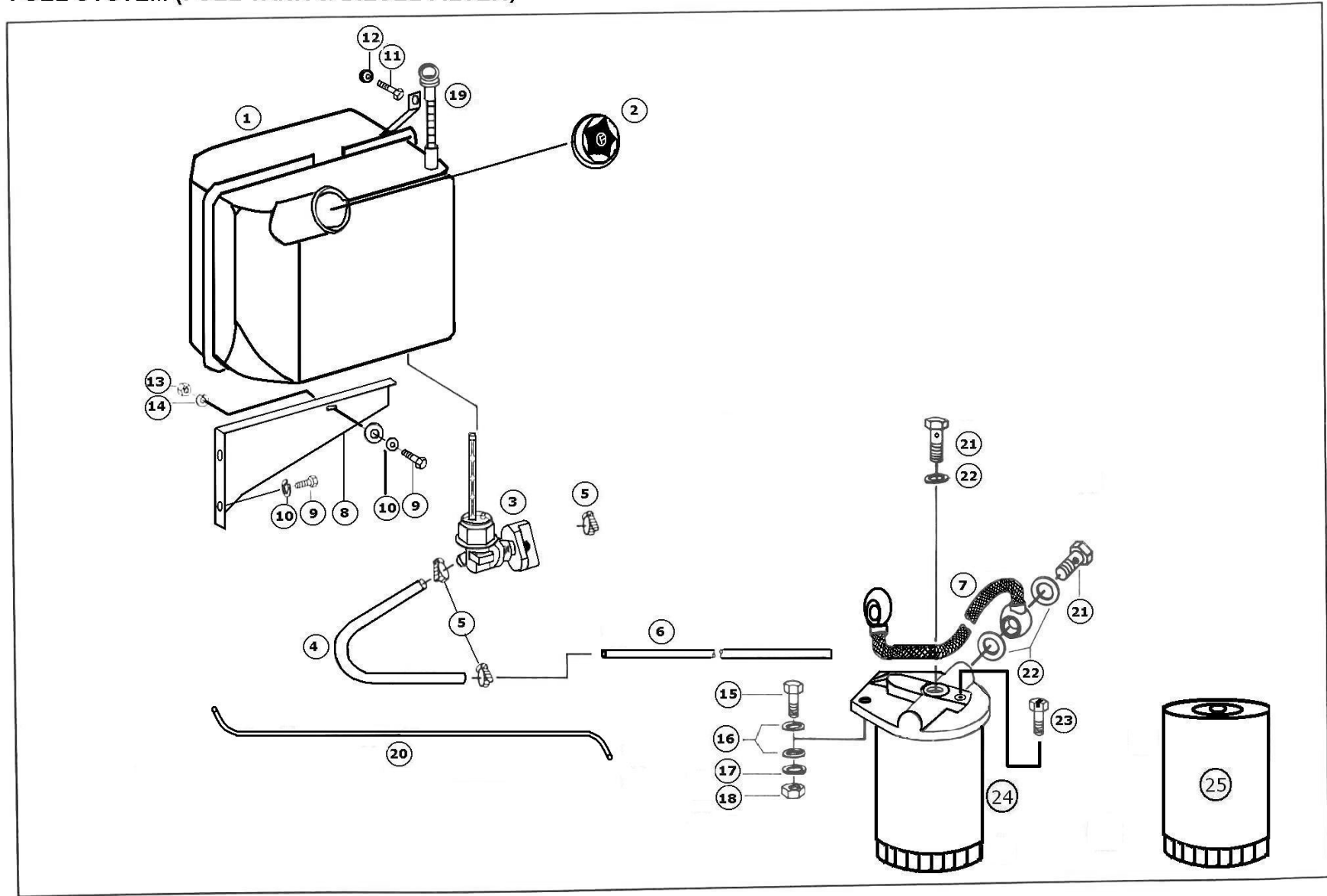
<b>Fig No</b>	<b>Code No.</b>	<b>Material Description</b>	<b>CB</b>	<b>Metal TOP</b>	<b>Fig No</b>	<b>Code No.</b>	<b>Material Description</b>	<b>CB</b>	<b>Metal TOP</b>
1	B008524200118	Hand Brake Assly.	-	1					
-	B008524200018	Hand Brake Assly.	1	-					
2	A000090306021	Hex. Head Screw M6 x 20	6	6					
3	A000092506000	Plain Washer M6	12	12					
4	A000092706000	Spring Washer B6	6	6					
5	A000092106102	Hex. Nut M6 x 1	6	6					
6	B008524202185	Hand Brake Cable Assly. RH ( SLC PU)	1	-					
-	B008524200785	Hand Brake Cable Assly. LH ( SLC PU)	1	-					
-	B008524200885	Hand Brake Cable Assly. RH ( PU)	-	1					
-	B008524200685	Hand Brake Cable Assly. LH ( PU)	-	1					
7	B008524200065	Hand Brake Bottom Cover Assly.	1	1					
8	A000090306021	Hex. Head Screw M6 x 20	1	1					
9	A000092506000	Plain Washer	2	2					
10	A000092706000	Spring Washer	1	1					
11	A000092108130	Hex. Nut	4	4					
12	B008523170140	Cable Holding bracket	2	2					
13	B008524200478	Hand Brake Pocket Assly.	1	-					
-	B008524200278	Hand Brake Pocket Assly.	-	1					

# STEERING ASSEMBLY - RACK & PINION



Steering Assembly - Rack & Pinion					Dia No. 35				
Fig No	Code No.	Material Description	CB	Metal TOP	Fig No	Code No.	Material Description	CB	Metal TOP
1	B008464600801	Steering Housing	1	1	26	B008464610052	Spacer	1	1
-	B008464600401	Steering Assly. - Rack & Pinion	1	1	27	B008464610309	Steering Rack - End	1	1
2	B008464620042	'O' Ring	1	1	28	B008464620174	Pin ( Steering )	1	1
3	B008464620196	Rubber Boot - Small	1	1	29	C000472030000	Circlip 30 x 1.2	1	1
4	B008464620201	Steering Shaft	1	1	30	B008464620352	Washer - Steering Lever	1	1
5	B008529810010	Ball Bearing	1	1	31	B008469910101	Spring - Steering Lever	1	1
6	C000472030000	Circlip 30 x 1.2	2	2	32	B008464620105	Steering Lever	1	1
7	A000099130022	Nyloc Nut M10	1	1	33	A000094414100	External Circlip	1	1
8	B008464610035	Roller Steering Housing	1	1	34	A000092710000	Spring Washer	3	3
9	B008464610030	Roller Seat	1	1	35	A000091510031	Hex. Socket Bolt M10 x 30	3	3
10	B008464610011	Shim	1	1	36	B008464620150	Bush - Steering Lever	1	1
11	B008529910115	Special Bolt	1	1	37	B008464620033	Bush - Steering Lever	1	1
12	B008469910001	Spring - Steering Housing	1	1	38	B008464600003	Steering Wheel	1	1
13	A000099130021	Lock Nut	2	2	39	A000023060542	Steering Nut	1	1
14	B008464610043	End Cover	1	1	-	B008525450110	Steering Cap	1	1
15	A000090306014	Hex. Nut M6 x 15	2	2	40	No Code	Plain Washer	1	1
16	A000092706000	Spring Washer B6	2	2	-	B008464600916	Jacket tube with bracket.	1	1
17	B008464610150	Bush - Steering Housing	2	2					
18	C000472035000	Circlip	1	1					
19	B008464610143	Guide Cover	1	1					
20	B008464610127	Insert (Rack & Pinion Bellow Mounting)	1	1					
21	No Code	Rubber Strap	1	1					
22	B008464620196	Rubber Boot - Big	1	1					
23	A000040134132	Hose Clip	1	1					
24	B008464600209	Steering Rack M/c	1	1					
25	A000092218152	Nut	1	1					

# FUEL SYSTEM (FUEL TANK & DIESEL FILTER)

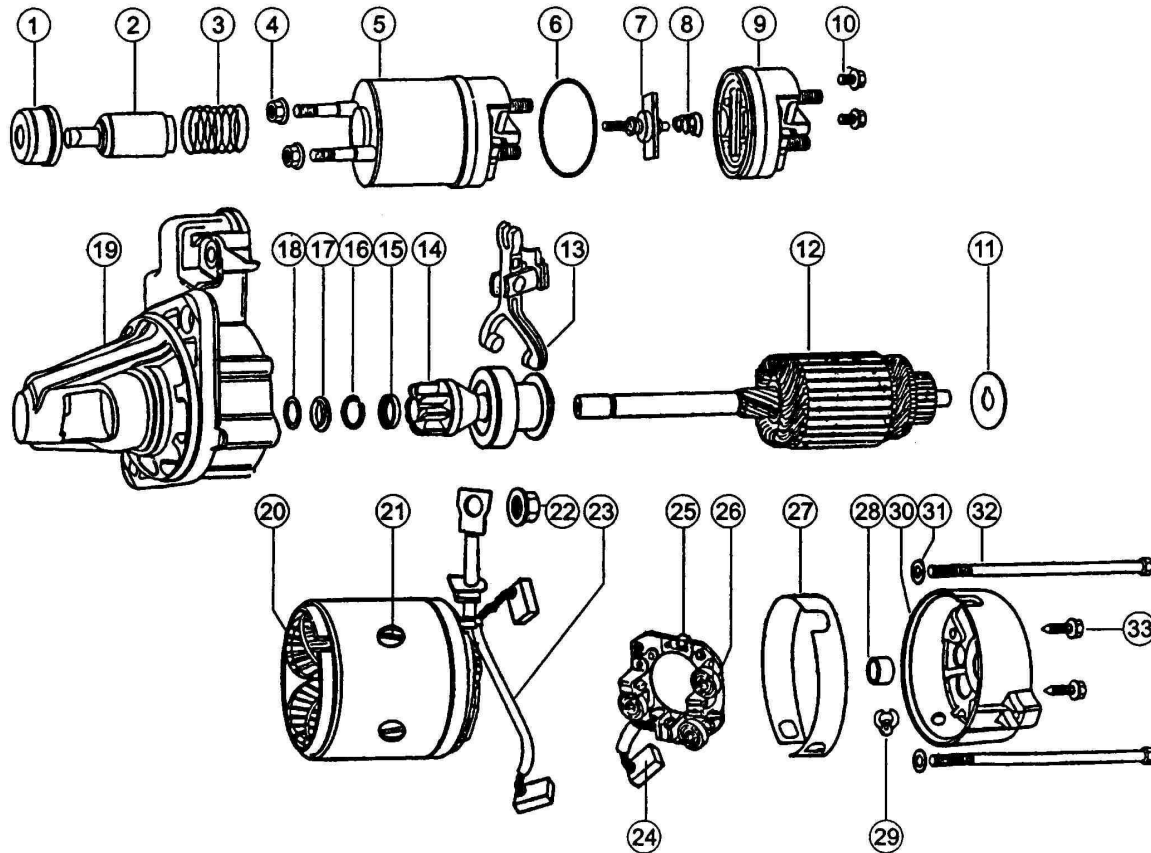




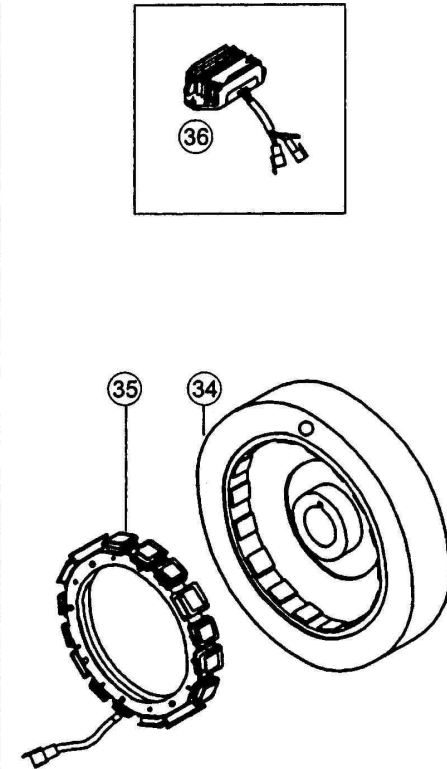
Fuel System ( Fuel Tank & Diesel Filter ) - cB & Metal Top							Dia No. 36		
Fig No	Code No.	Material Description	CB	Metal Top	Fig No	Code No.	Material Description	CB	Metal Top
1	B008524701601	Fuel tank assly.	1	1					
2	B008524700266	Assly fuel tank cap	1	1					
3	B008524700408	Fuel cock	1	1					
4	B008524761426	Fuel hose ( fuel cock to	1	1					
-	B008030980926	Fuel Pipe Hose	1	1					
5	B008529951411	Clinch type clamp	3	3					
6	B008524760801	Bundy tube 9 .53 x 0.71 x 1850 mm	1	-					
-	B008524760401	Bundy tube 9 .53 x 0.71 x 2350 mm	-	1					
7	B008030980626	Hose pipe assly.	1	1					
8	B008524700320	Fuel Tank Mtg. Bracket assly.	1	1					
-	B008529875630	Rubber Strip - top	1	1					
9	A000090308019	Hex head Screw M8 x 18	4	4					
10	A000092708000	Spring washer	4	4					
11	A000090306019	Hex Head Screw M6 x 18	2	2					
12	A000092506000	Plain washer	4	4					
13	A000092106102	Hex Nut M6 x 1	2	2					
14	A000092508000	Plain washer	4	4					
15	A000090308031	Hex. Head Screw M8 x 30	2	2					
16	A000092508000	Plain Washer M8	10	10					
17	A000092708000	Spring Washer B8	8	8					
18	A000090308130	Hex. Nut M8 x 1.25	6	6					
19	B008524700172	Fuel Dipstick assly.	1	1					
20	B008524760101	Fuel Hose Pipe - Return	1	1					
21	A000020146122	Banjo Bolt	2	2					
22	C007603014106	Sealing ring A14 x 20	3	3					
23	No code	Bleeding Screw	NSSP	NSSP					
24	B008030900401	Spinion filter Assly. ( With Filter head)	1	1					
25	B008030920204	Diesel Filter Cartridge	1	1					

# STARTER - SM 76 PETYPE (LUCAS) & ALTEMATOR (JHI)

## STARTER ASSEMBLY



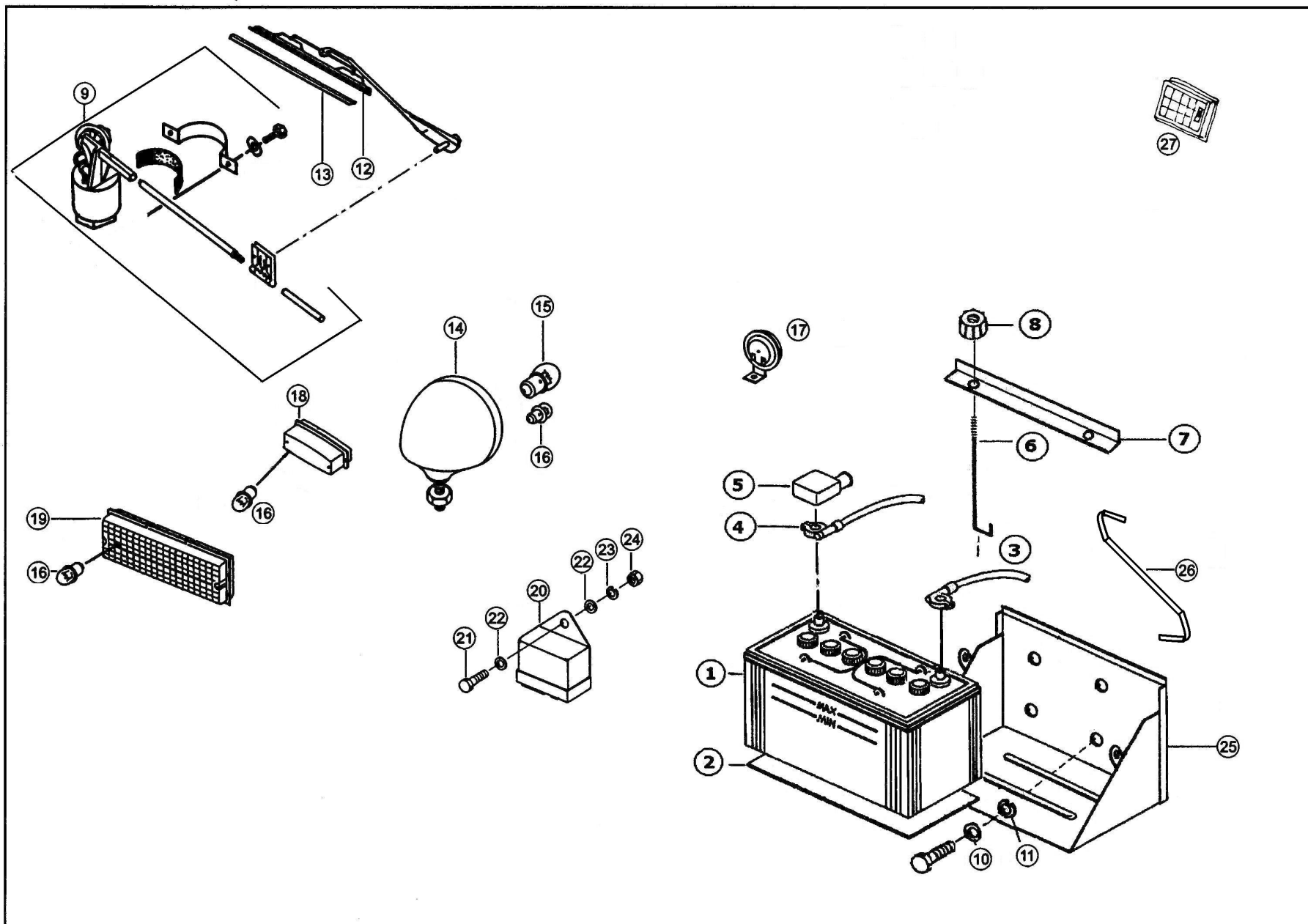
## FLYWHEEL ALTERNATOR ASSEMBLY



**Starter - SM 76 PE type (Lucas) & Alternator (JHI)**
**Dia No. 37**

Fig No	Code No.	Material Description	CB	Metal TOP	Fig No	Code No.	Material Description	CB	Metal TOP
1	B008031540143	Shroud		1	28	B008031540650	CE Bearing Bush		1
-	B008031501501	Starter Assembly		1	29	B008039910255	Vent Plug		1
2	B008031500065	Plunger Assembly		1	30	B008031500641	CE Bracket Assembly		1
3	B008039931001	Plunger Return Spring		1	31	B008039901540	Plain Washer		2
4	B008039901751	Serrated Flange Nut		2	32	B008039900401	Fixing Bolt		2
5	B008035420117	S2 - Solenoid Switch		1	33	B008039901113	B. G. Fixing Screw		2
6	B008031540080	Flat Seal		1	34	B008030303305	Flywheel Assembly		1
7	B008031540274	Spindle Assembly		1	35	B008031540125	Stater Assembly 24 AMP		1
8	B008039931101	Contact Return Spring		1	36	B008525400265	Rectifier cum Regulator Unit		1
9	B008031500843	Terminal Base Assembly		1	-	B008525400465	Rectifier cum Regulator Unit - Big Size		1
10	B008039901213	Flanged Screw with Gasket		2					
11	B008039901340	Stop Washer		1					
12	B008031540165	Armature Assembly		1					
13	B008031500373	Engaging Lever Assembly		1					
14	B008031520105	Drive Assembly		1					
15	B008039901640	Thrust Collar		1					
16	B008031540462	Jump Ring		1					
17	B008039901440	DE Thrust Washer		1					
18	B008031540562	DE Thrust Shim		2					
19	B008031500541	Fixing Bracket Assembly		1					
20	B008039970493	Field Coil Assembly		1					
21	B008039901013	Pole Screw		4					
22	B008039901651	Flange Nut		1					
23	B008031540450	Twin Brush Assembly		2					
24	B008031540550	Earth Brush		1					
25	B008031500943	Brush Gear Assembly		1					
26	B008039931301	Brush Spring		3					
27	B008031540220	CE Bracket Insulation		1					

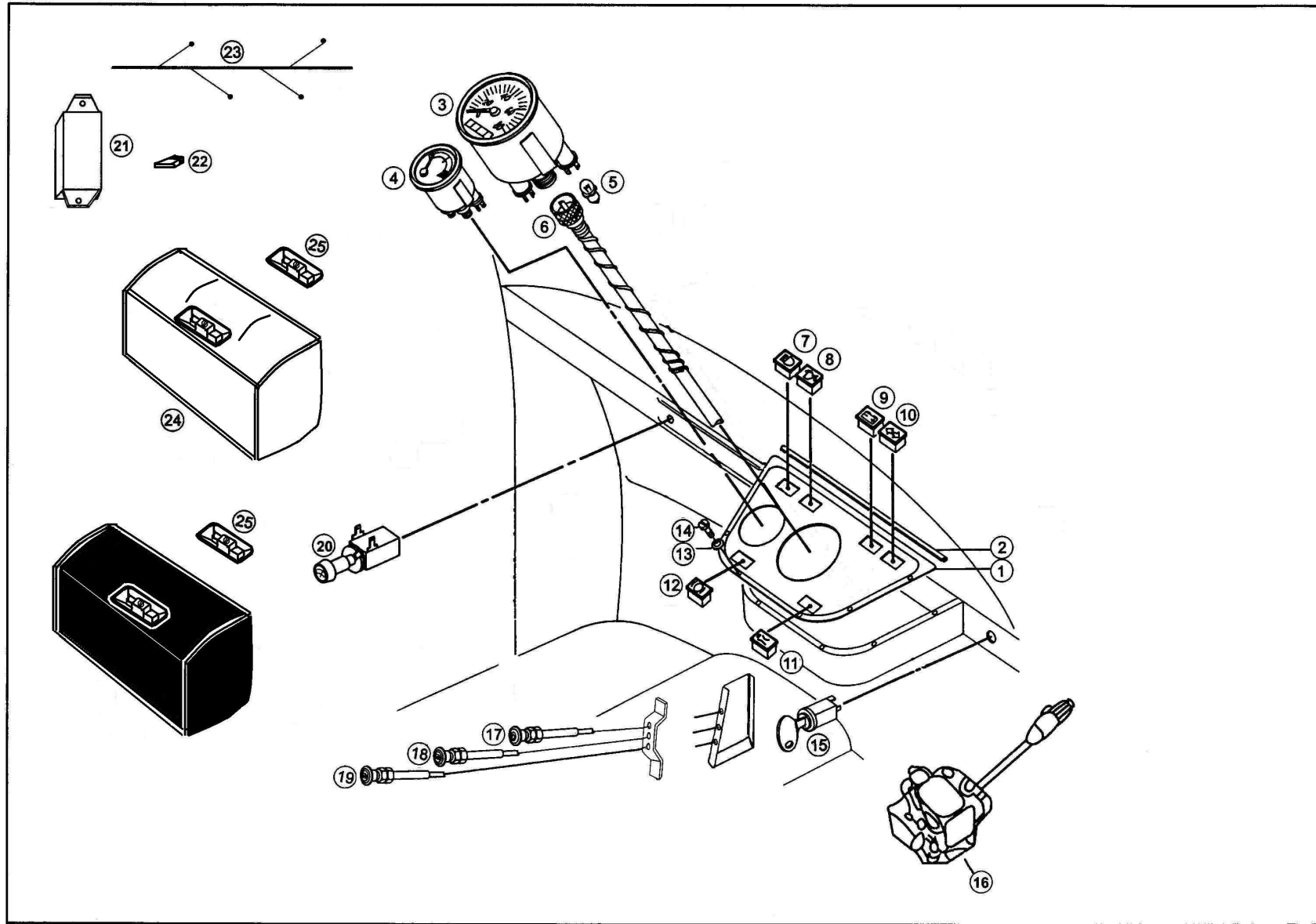
# ELECTRICAL EQUIPMENTS



**Electricals Assembly****Dia No. 38**

<b>Fig No</b>	<b>Code No.</b>	<b>Material Description</b>	<b>CB</b>	<b>Metal TOP</b>	<b>Fig No</b>	<b>Code No.</b>	<b>Material Description</b>	<b>CB</b>	<b>Metal TOP</b>
1	-	Battery	1	1	19	B008528200120	Tail Lamp Assembly LH	1	1
2	B008526840502	Rubber Matting For Bottom Tray	1	1	-	B008528200220	Tail Lamp Assembly RH	1	1
3	B008525403330	Postive Cable For PU SLC	1	-	20	T006865444832	Electronic Flasher Unit	1	1
	B008525402130	Postive Cable For PU	-	1	21	A000090306021	Hex Head Screw M6 X 20	1	1
4	B008525403430	Earth Cable	1	-	22	A000092506000	Plain Washer M6	2	2
	B008525401630	Earth Cable	-	1	23	A000092706000	Spring Washer B6	1	1
5	T006865462335	Battery Terminal Cap	2	2	24	A000092106102	Hex Nut M6 X 1	4	4
6	B008525450077	J- Hook	1	1	25	B008525400083	Battery Box Assembly	1	1
7	B008525400141	Battery Mounting Clamp	1	1	26	B008525450377	Hook	1	1
8	A000092108130	Hex Nut M8 X 1.25	1	1	-	B008525400034	Licence Plate Lamp Assembly	1	1
9	B008528200242	Wiper Motor With Accessories	1	1	27	T006868253601	Roof Lamp Assembly	1	1
10	A000092506000	Plain Washer M6	2	2					
11	A000092706000	Spring Washer	2	2					
12	B008528200344	Wiper Arm Assembly	1	1					
13	B008598200045	Wiper Blade Assembly	1	1					
14	B008528200661	Head Lamp Assembly	1	1					
15	B008545860004	Bulb 12 V- 45/45W	2	2					
16	A000024030162	Bulb 12/21W	6	6					
17	A000024025142	Electric Horn	1	1					
18	B008528200320	Side Blinker Assembly LH With Bulb	1	1					
-	B008528200420	Side Blinker Assembly LH With Bulb	1	1					
-	B008528220311	Base For Blinker Mounting LH	1	1					
-	B008528220411	Base For Blinker Mounting LH	1	1					

# DASHBOARD INSTRUMENTS

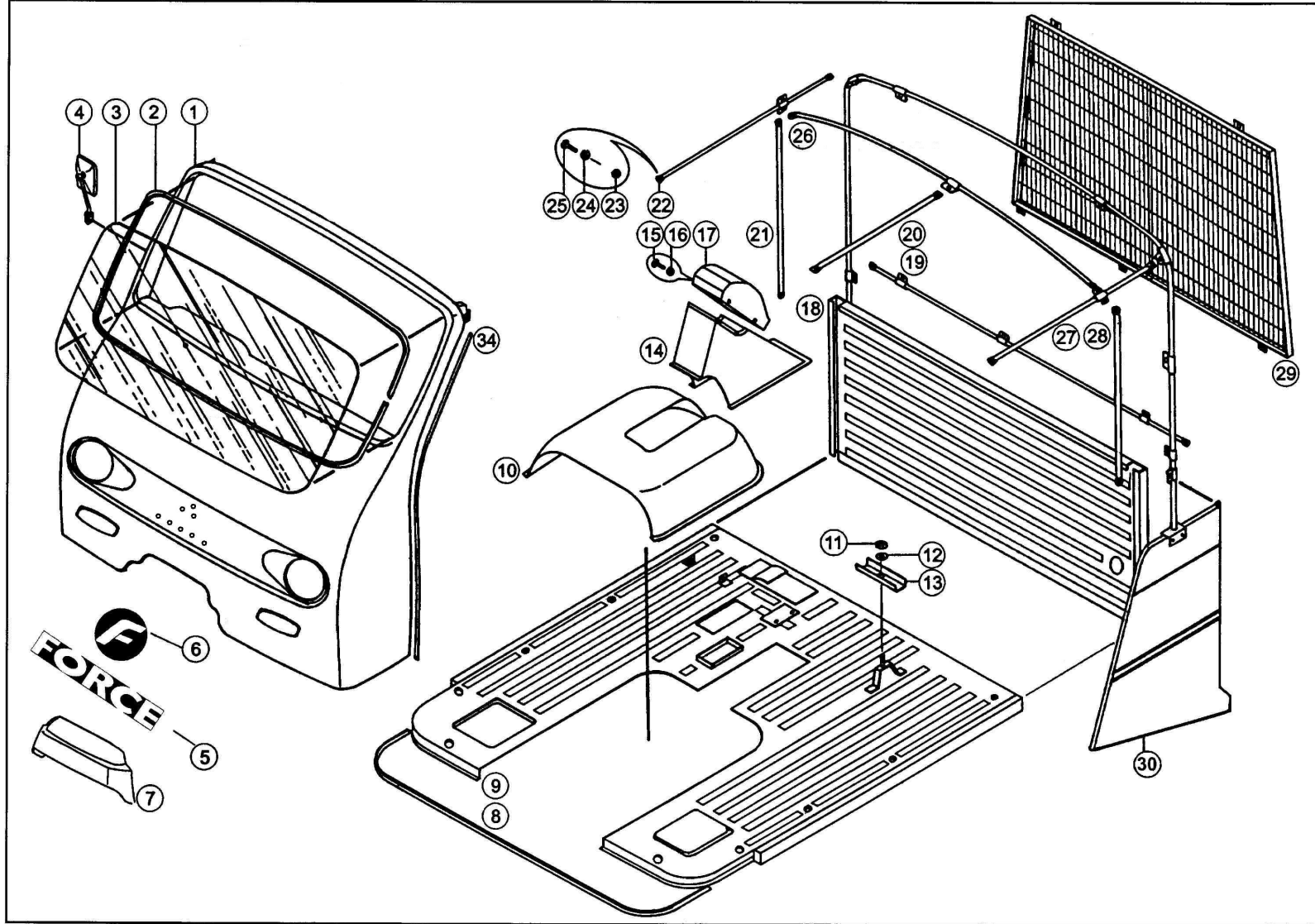


**Dashboard Instruments**

**Dia No. 39**

Fig No	Code No.	Material Description	CB	Metal TOP	Fig No	Code No.	Material Description	CB	Metal TOP
1	B008525420662	Instrument Plate	1	1	20	A000024050762	Wiper Switch	1	-
2	B008529871630	Edge Guard	1	1	21	A000044045402	Fuse Box assly.	1	-
3	B008525420206	Speedometer Assly.	1	-	22	B008705450134	Fuse (10 Amps.)	8	-
-	B008525420306	Speedometer Assly. 1 : 1.60	-	1	23	B008525407405	Main Harness - PU SLC	1	-
4	A000024050752	Electrical Temperature Gauge	1	1		B008525408805	Main Harness - MTPU	-	1
5	A000004505552	Warning Lamp - 2 W.	1	6	-	B008525402108	Secondary harness - PU SLC	1	-
6	B008525420007	Speedo Meter Cable -- PU SLC	1	1	24	B008556800014	Glove Box Assembly	-	1
-	B008525420107	Speedo Meter Cable -- LG -3800 MM	-	1	25	B008556800084	Glove Box Lock	-	1
7	T006865450290	Indicator Lamp for Bright Light	1	1					
8	T006865450090	Indicator Lamp for Oil Pressure	1	1					
9	T006865450190	Indicator Lamp for Charging Control	1	1					
10	T006865450490	Indicator Lamp for Side Indicator	1	1					
11	B008755450090	Indicator Lamp - Air Warn	1	1					
12	T006865450390	Indicator Lamp for Brake Fluid	1	1					
13	A000092505000	Plain Washer M5	1	4					
14	A000090905012	Cheese Head Screw	1	4					
-	B008525450010	Horn Button	1	-					
15	A000024050092	Starter Switch	1	1					
16	B008525450024	Combination Switch	-	1					
17	B008523013350	Decompression Cable - PU SLC	1	-					
-	B008523012550	Decompression Cable - PU	-	1					
18	B008523013250	Stopper Cable - PU SLC	1	-					
-	B008523012750	Stopper Cable - PU	-	1					
19	B008523002485	Extra Fuel Device Cable	1	-					
-	B008523001385	Extra Fuel Device Cable	-	1					

# BODY ASSEMBLY - CB

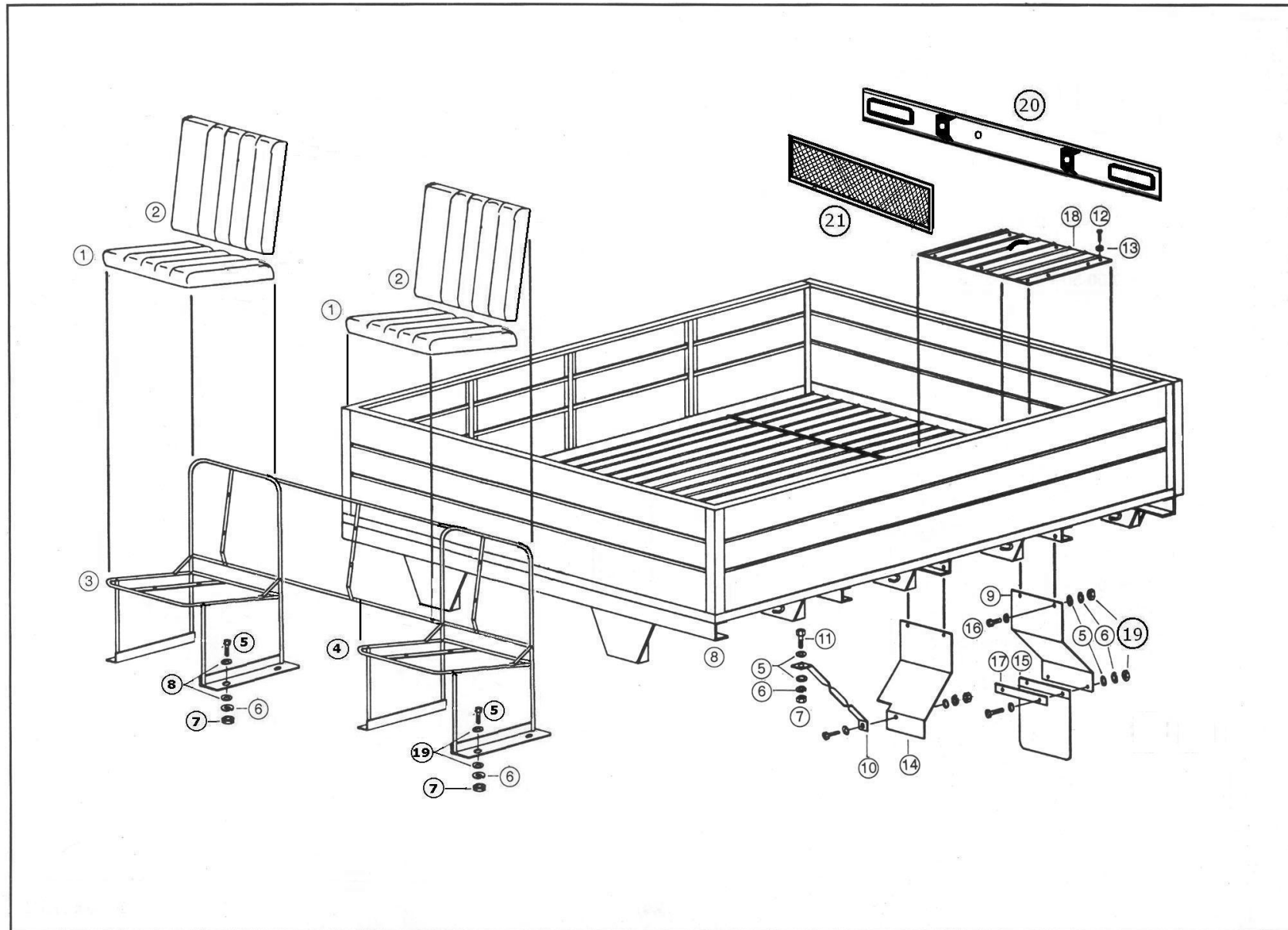




**Minidor body Assembly - P/U ( SLC)**
**Dia No. 40**

Fig No	Code No.	Material Description	CB	Metal TOP	Fig No	Code No.	Material Description	CB	Metal TOP
1	B008526209702	Front Panel Assly. (Rack & Pinion)		1	20	B008526502627	Canopy holding tube assly.		1
-	B008526009020	Cabin Assly. (Rack & Pinion)		1	21	B008526503107	Vertical Member - RH		1
-	B008529870730	Rubber Packing		2	22	B008526503527	Connecting Tube - RH		1
2	B008526710020	Wind Screen Glass Beeding		1	23	A000099130021	Nyloc Nut		6
3	B008526710110	Laminated Wind Screen Glass		1	24	A000092506000	Plain Washer		21
4	B008528100917	Rear View Mirror RH		1	25	A000090306014	Hex. Head Screw M6 x 15		11
-	B008529874330	Rubber Abt. RV Mirror RH		1	26	B008526501207	Cross Tube Assly.		1
5	B008528100817	Rear View Mirror LH		1	27	B008526503427	Connecting Tube - LH		1
-	B008529874230	Rubber Abt. RV Mirror LH		1	28	B008526503007	Vertical Member - LH		1
6	B008528171316	'F' Monogram		1	29	B008527100507	Wire Frame Assly with roll bar		1
-	A000092506000	Plain Washer M6		1	30	B008526305101	Side Panel-LH		1
-	A000092706000	Spring Washer B6		1	-	B008526305201	Side Panel-RH		1
-	A000092106102	Hex. Nut M6 x 1		1	-	B008526902653	Canvas Canopy (Black)		1
7	B008526650109	Front wheel Cover (Rack & Pinion Steering)		1					
-	A000090306014	HHS M6 x 15		5					
-	A000099130021	Nut		5					
8	B008529871130	Floor Beeding Assly.		1					
9	B008526109961	Floor Panel		1					
-	B008526009020	Rear body ( floor, side & partition panel )		1					
10	B008526100407	Wheel Hood Assly.		1					
11	A000092112177	Hex. Nut		1					
12	A000092112000	Plain Washer M12		1					
13	B008524030001	Channel for Spare Wheel Holding		1					
14	B008526190507	Rear cover assly.wheel hood		1					
15	A000090306013	Cheese Head Screw M6 x 12		4					
16	A000092505000	Plain Washer		4					
17	B008528840222	Cover for Wheel Hood		1					
18	B008526473419	Partition Wall Assly.		1					
19	B008526520027	Connecting Tube		1					

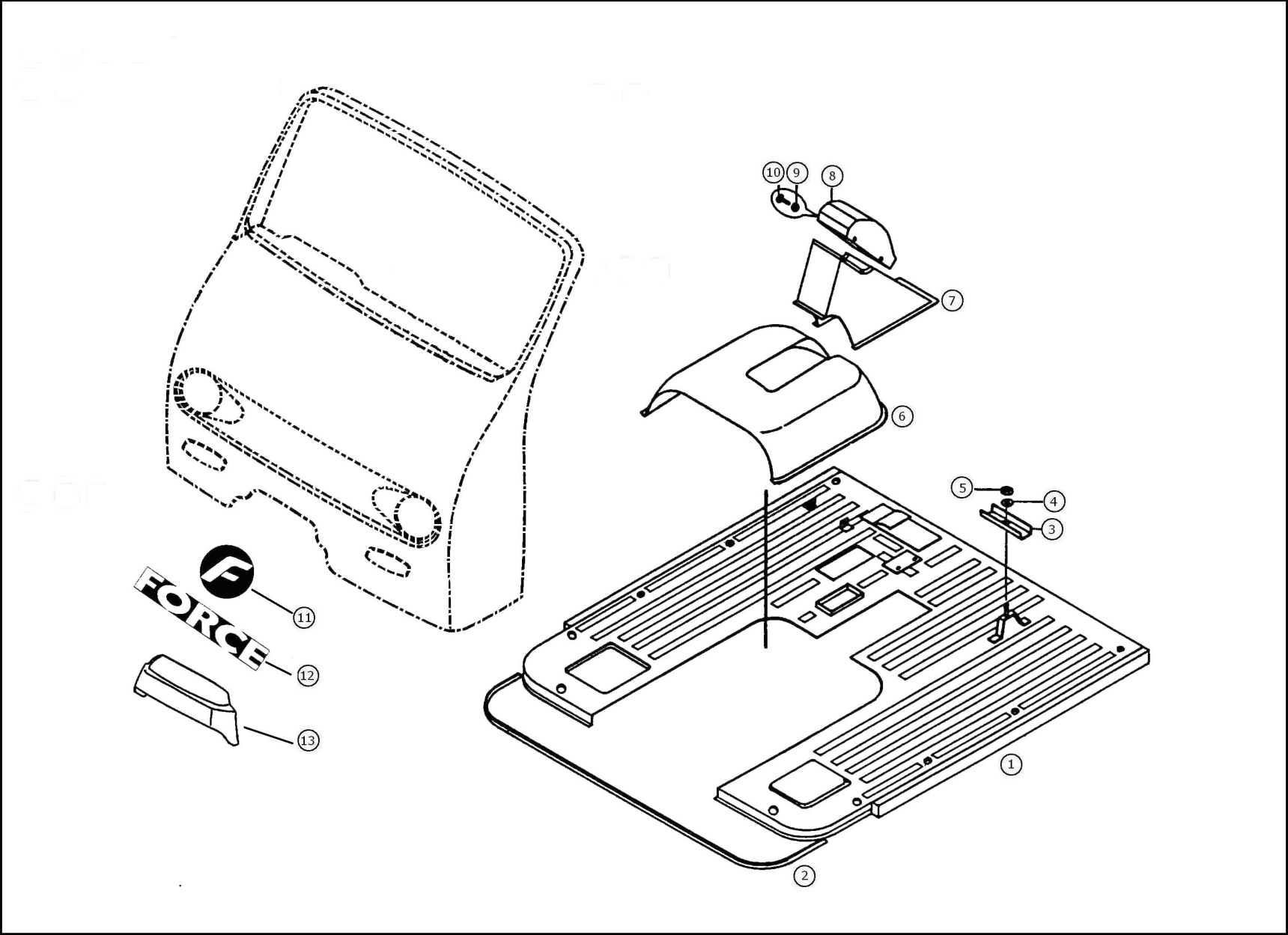
# REAR HOLD & SEATS - P/U (cB)



**Rear Hold & Seats - CB**
**Dia No. 41**

Fig No	Code No.	Material Description	CB	Metal TOP	Fig No	Code No.	Material Description	CB	Metal TOP
1	B008529100301	Seat rest cushion assly. ( Driver & Co driver )	2	-					
2	B008529100132	Back rest assly. ( Driver & Co Driver )	2	-					
3	B008529101920	Driver seat frame assly.	1	-					
4	B008529102020	Co- Driver seat frame assly.	1	-					
5	A000090308019	Hex. Head Bolt M8 x 18	6	-					
6	A000092708000	Spring Washer B8	31	-					
7	A000092108130	Hex. Nut M8 x 1.25	21	-					
8	B008526006820	Pick -Up Hold assly.(SLC)	1	-					
9	B008526000410	Mudguard assly. LH - Rear ( SLC)	1	-					
10	B008526040441	Mudguard Support Bracket	4	-					
11	A000090308014	Hex. Head Screw M8 x 16	8	-					
12	A000090306019	Hex. Head Bolt M6 x 18	10	-					
13	A000092706000	Spring Washer B6	10	-					
14	B008526001810	Mudguard assly. LH - Front ( SLC)	1	-					
-	B008526001910	Mudguard assly. RH - Front ( SLC)	1	-					
15	A000026021682	Dirt Trap	3	-					
16	A000090308026	Hex. Head Screw M8 x 25	4	-					
17	A000026021696	Connecting Link	4	-					
-	B008526001610	Mudguard assly. RH - Rear ( SLC)	1	-					
18	B008526000809	Middle Floor Rear Assly.	1	-					
-	B008528171616	Sticker - 'Minidor'	4	-					
-	B008526040315	Support for Mudguard PU	4	-					
19	A000092508000	Plain Washer M8	44	-					
20	B008528800001	Rear Bumper assly.	1	-					
-	B008529870932	Rubber Buffer	2	-					
21	B008528800310	Grill Assly. - Top	1						

FLOOR & HUMP ASSEMBLY

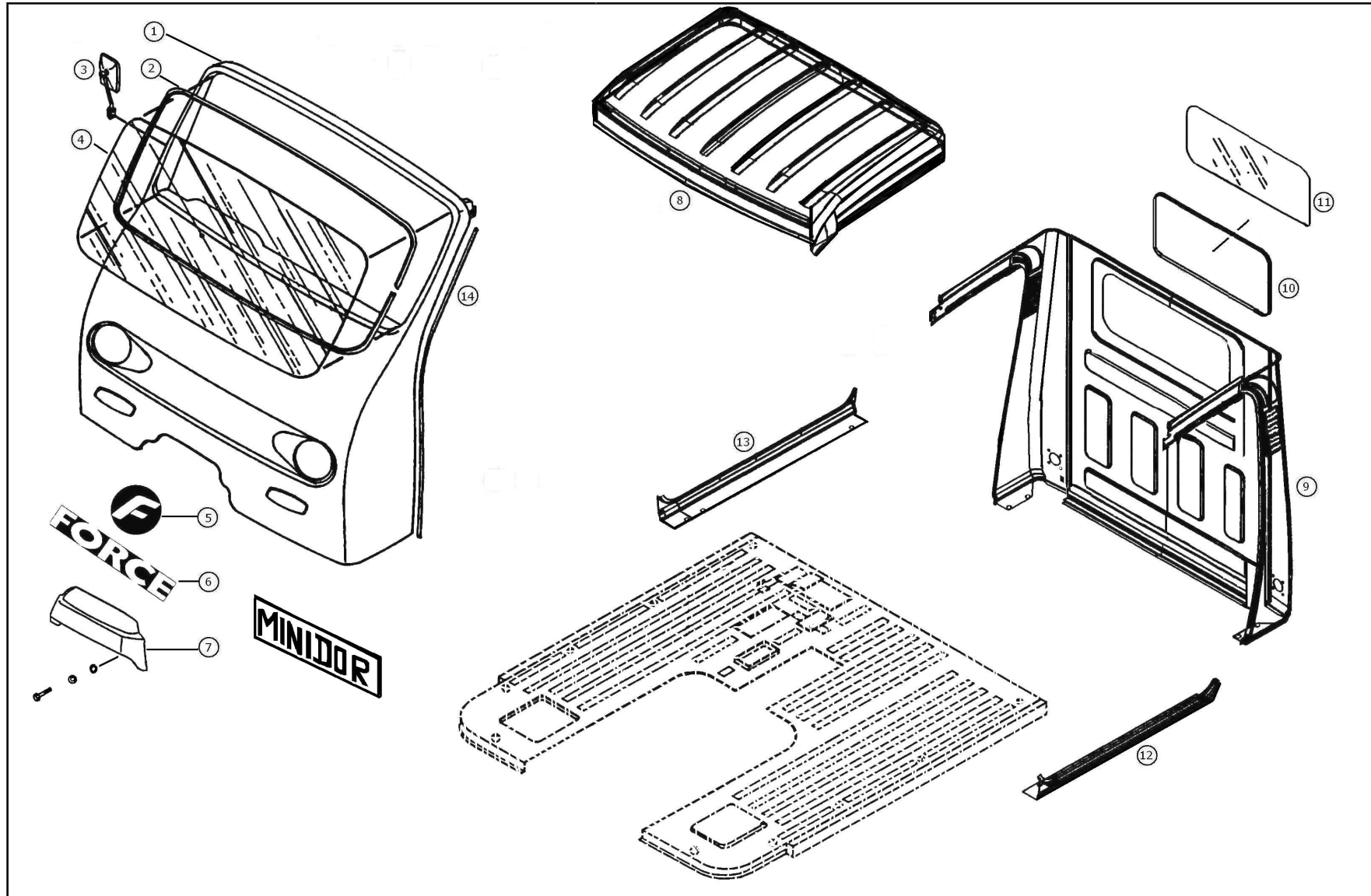


**FLOOR ASSEMBLY -MT P/U**

Di

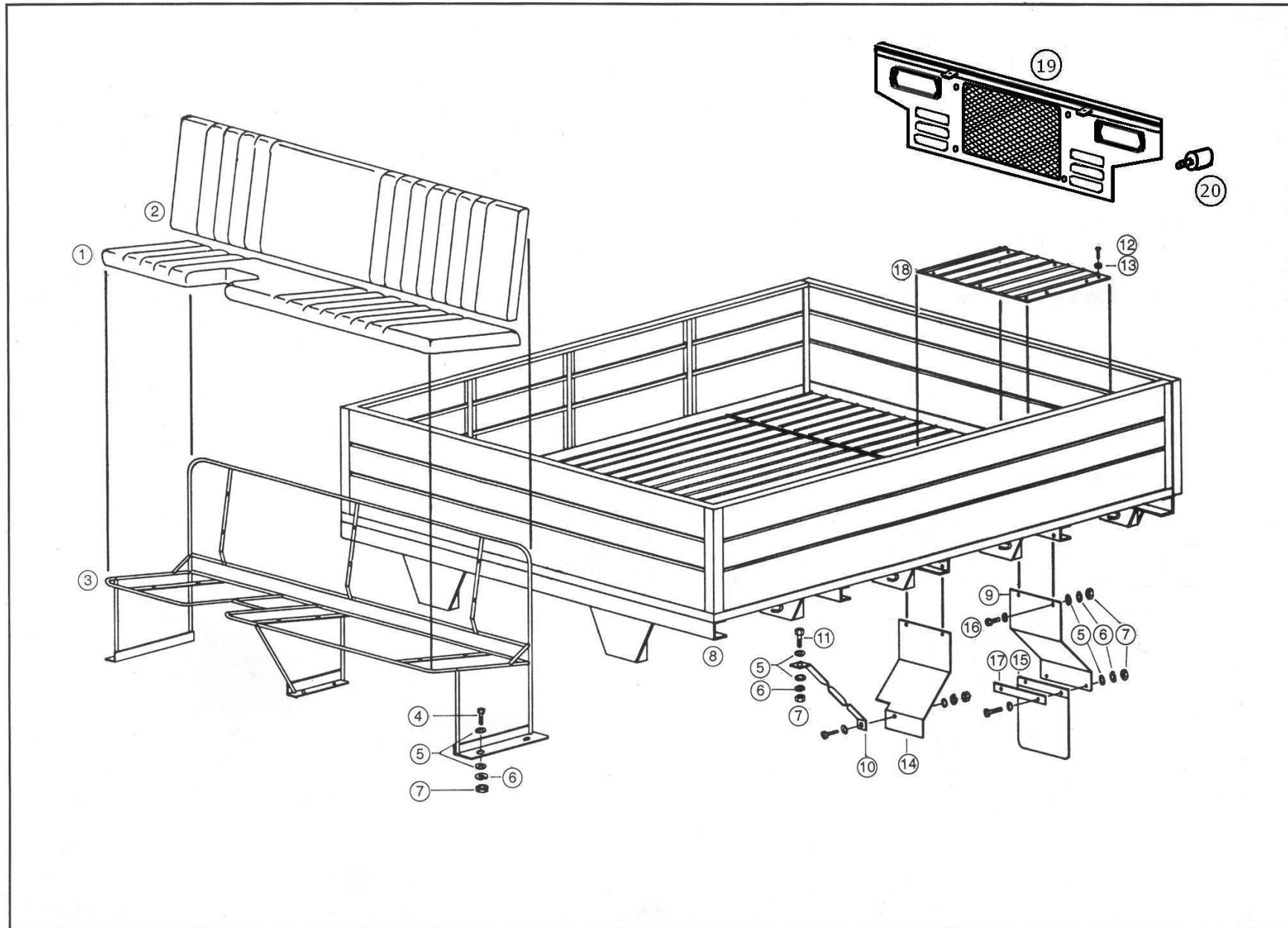
Fig No	Code No.	Material Description	CB	Metal TOP	Fig No	Code No.	Material Description	CB	Metal TOP
1	B008526101162	Floor Assembly With Frame (Minidor Metal Top)	-	1					
2	B008529875030	Floor Beeding	-	1					
-	B008529870730	Rubber Packing For Front Panel	-	2					
3	B008524030012	Channel For Spare Wheel Holding	-	1					
4	A000092708000	Spring Washer	-	1					
5	A000092108130	Hex Nut	-	1					
6	B008526100407	Wheel Hood Assembly	-	1					
7	B008526190507	Rear Cover - Wheel Hood	-	1					
8	B008528840222	Cover For Wheel Hood	-	1					
9	A000092706000	Spring Washer	-	2					
10	A000090306013	Hex Head Screw	-	2					
11	B008558173516	F-Monogram	-	1					
12	B008558173616	FORCE Name Plate	-	1					
-	B008528172616	'MINIDOR " Sticker	-	1					
13	B008526650109	Front Wheel Covering	-	1					
14	A000092506000	Plain Washer M6	-	5					
15	A000090306014	Hex Head Screw M6 X 15	-	5					
16	A000099130021	Nylock Nut M6 X 1	-	5					

# METAL TOP CABIN ASSEMBLY





# REAR HOLD & SEATS - P/U





**Rear Hold & Seats - MT P/U**
**Dia No. 44**

Fig No	Code No.	Material Description	CB	Metal TOP	Fig No	Code No.	Material Description	CB	Metal TOP
1	B008529100050	Seat rest cushion assly. ( Driver & co driver )	2	-					
2	B008529100832	Back rest assly. ( Driver & Co Driver )	2	-					
3	B008529101220	Driver seat frame assly.	1	-					
4	A000090308019	Hex. Head Bolt M8 x 18	6	-					
5	A000092508000	Plain washer	6	-					
6	A000092708000	Spring Washer B8	31	-					
7	A000092108130	Hex. Nut M8 x 1.25	21	-					
8	B008526002620	Pick -Up Hold assly.	1	-					
9	B008526000910	Mudguard assly. LH - Rear	1	-					
10	B008526040315	Mudguard Support Bracket	4	-					
11	A000090308014	Hex. Head Screw M8 x 16	8	-					
12	A000090306019	Hex. Head Bolt M6 x 18	10	-					
13	A000092706000	Spring Washer B6	10	-					
14	B008526001010	Mudguard assly. LH - Front	1	-					
-	B008526001110	Mudguard assly. RH - Front	1	-					
15	A000026021682	Dirt Trap	3	-					
16	A000090308026	Hex. Head Screw M8 x 25	4	-					
17	A000026021696	Connecting Link	4	-					
-	B008526001610	Mudguard assly. RH - Rear	1	-					
18	B008526001005	Middle Floor Rear Assly.	1	-					
19	A000092508000	Plain Washer M8	44	-					
20	B008528801610	Rear Bumper assly.	1	-					
-	B008529870932	Rubber Buffer	2	-					